



**Model Number**

**RL91-6-IR/25/49/115**

Retroreflective sensor  
with 5 m fixed cable

**Features**

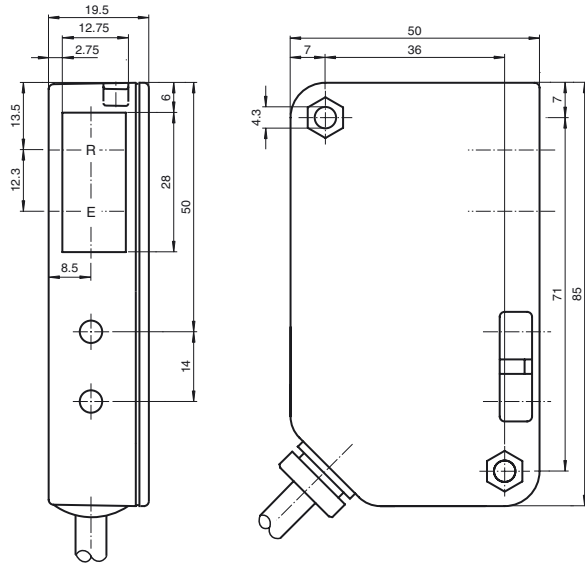
- Retroreflective sensor for single-beam closing edge protection
- Narrow housing suitable for small gaps
- Sturdy plastic housing
- Various possibilities for mounting
- Version with infrared light
- Version for supply voltage of up to 30 V DC
- Light-on version

**Product information**

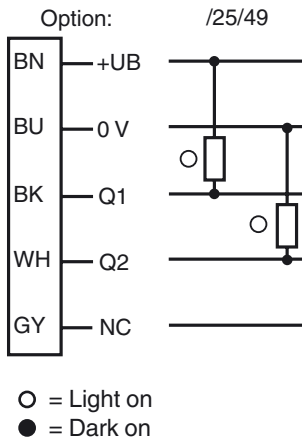
Concentration on the essentials is the hallmark of the 91 series. As ac/dc supply devices, these economical, reliable and easy-to-use photoelectric sensors can be used almost universally. Their narrow design means that they can be used in any environment.

The single-beam photoelectric sensors of the 91 series are suitable for closing-edge monitoring for elevators, barriers and doors, as well as for object detection and object tracking in material handling systems.

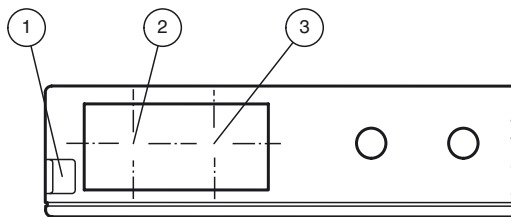
**Dimensions**



**Electrical connection**



**Indicators/operating means**



1	Functional display	red
2	Optical axis Receiver	
3	Optical axis Transmitter	

Release date: 2012-06-01 13:39 Date of issue: 2012-08-16 419062\_eng.xml

Subject to modifications without notice

Pepperl+Fuchs Group  
www.pepperl-fuchs.com

USA: +1 330 486 0001  
fa-info@us.pepperl-fuchs.com

Germany: +49 621 776-4411  
fa-info@pepperl-fuchs.com

Copyright Pepperl+Fuchs  
Singapore: +65 6779 9091  
fa-info@sg.pepperl-fuchs.com

## Technical data

### General specifications

Effective detection range	0 ... 6 m
Reflector distance	0 ... 6 m
Threshold detection range	9 m
Reference target	H85-2 reflector
Light source	LED
Light type	modulated infrared light
Diameter of the light spot	approx. 230 mm at a distance of 6000 mm
Angle of divergence	approx. 2.5 °
Ambient light limit	90000 Lux

### Functional safety related parameters

MTTF <sub>d</sub>	1083.4 a
-------------------	----------

### Indicators/operating means

Function display	LED red, flashes when falling short of the stability control
------------------	--

### Electrical specifications

Operating voltage	$U_B$	12 ... 30 V DC
No-load supply current	$I_0$	< 100 mA

### Output

Switching type	light on	
Signal output	1 NPN, 1 PNP synchronized-switching, short-circuit protected, reverse polarity protected	
Switching voltage	max. 30 V DC	
Switching current	200 mA	
Switching frequency	$f$	25 Hz
Response time	20 ms	

### Ambient conditions

Ambient temperature	-20 ... 55 °C (-4 ... 131 °F)
Storage temperature	-20 ... 75 °C (-4 ... 167 °F)

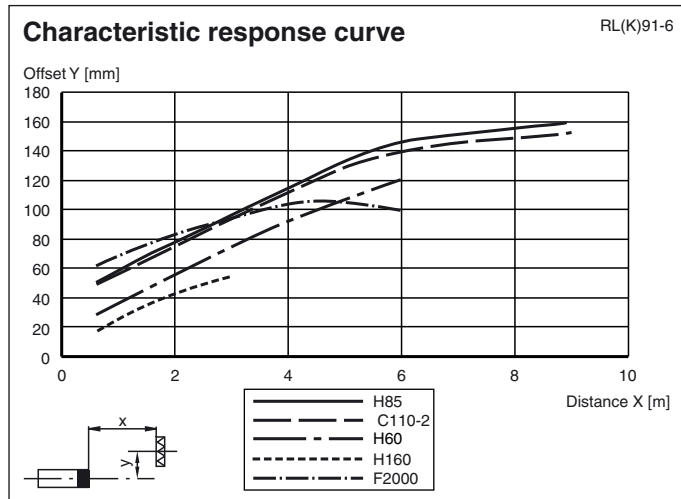
### Mechanical specifications

Protection degree	IP65
Connection	5 m fixed cable
Material	
Housing	Luran
Optical face	Luran
Mass	100 g

### Approvals and certificates

UL approval	cULus
CCC approval	Products with a maximum operating voltage of ≤36 V do not bear a CCC marking because they do not require approval.

## Curves/Diagrams



## Typical applications

- Closing-edge monitoring for elevators, barriers and industrial doors
- Detecting and tracking objects in material handling

## Detection area

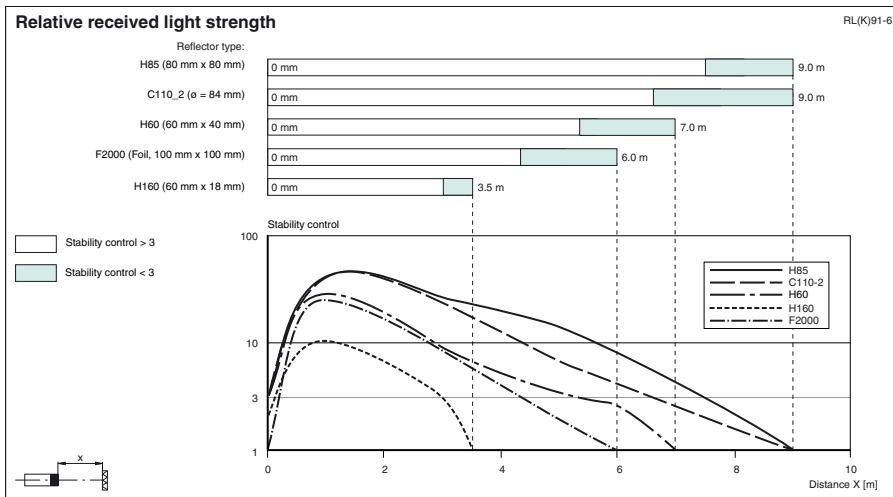


## Accessories

### OMH-91

Mounting bracket

Other suitable accessories can be found at [www.pepperl-fuchs.com](http://www.pepperl-fuchs.com)



### Operating principle

The retroreflective sensor contains the transmitter and receiver in a single housing. The light from transmitter is beamed back from a reflector to the receiver. If an object interrupts the light beam the switching function is initiated.