



**Model Number**

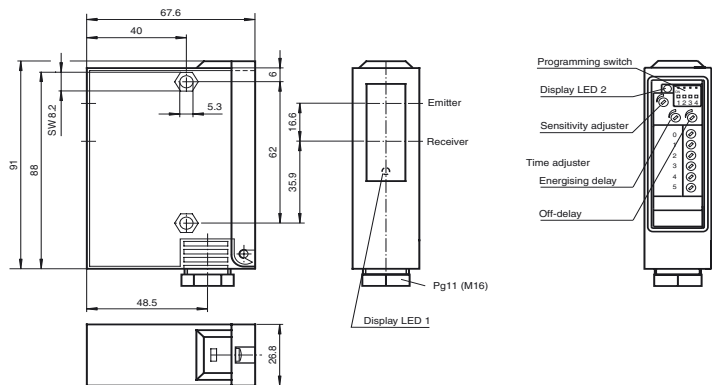
**RLK24-54/116**

Retro-reflective sensor with polarization filter  
with terminal compartment

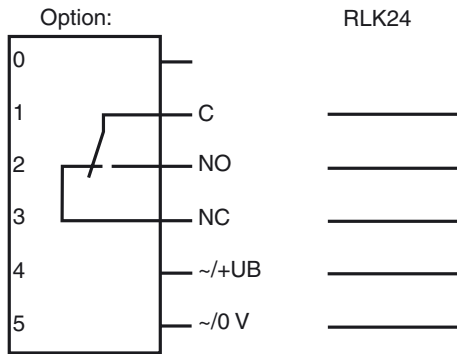
**Features**

- Detection range up to 10 m
- Sturdy plastic housing
- Sensitivity adjuster and light-/dark switch
- Pre-fault indication and output
- 4 programmable time functions
- Operating voltage 10;V ...;30;V;DC or 12;V ...;240;V;AC/DC

**Dimensions**



**Electrical connection**



- = Light on
- = Dark on

Release date: 2009-08-18 16:16 Date of issue: 2009-08-18 419042\_ENG.xml

## Technical data

### General specifications

Effective detection range	0 ... 6000 mm
Reflector distance	0 ... 6000 mm
Threshold detection range	10 m (with C110-2 reflector)
Light source	LED
Approvals	CE
USA	UL
Kanada	CSA
Light type	red, modulated light
Diameter of the light spot	approx. 150 mm at 6000 mm detection range
Angle of divergence	approx. 1.4 °
Ambient light limit	80000 Lux

### Indicators/operating means

Function display	LED yellow, frontal and in the terminal compartment, lit up when light beam is free, flashing when falling short of the stability control
Operating elements	Programming switch for light/dark ON, timer functions
Operating elements	2 potentiometers for timer functions
Operating elements	1 Potentiometer as sensitivity adjuster

### Electrical specifications

Operating voltage	$U_B$	12 ... 240 V AC/DC
Power consumption	$P_0$	3 VA

### Output

Switching type	light/dark switching	
Signal output	1 relay output, 1 alternator	
Switching voltage	max. 240 V AC	
Switching current	max. 2 A	
Switching frequency	f	25 Hz
Response time		20 ms
Timer function		GAN, GAB, IAB, GAN-GAB, programmable adjustment range 0.1 ... 10 s

### Standard conformity

Standards	EN 60947-5-2
-----------	--------------

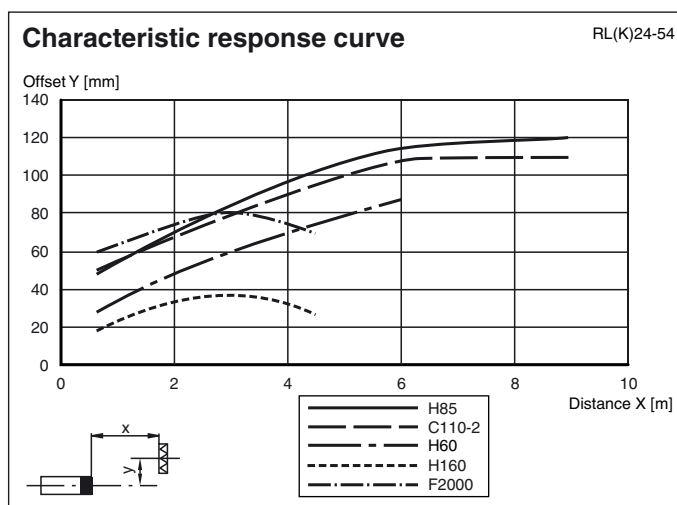
### Ambient conditions

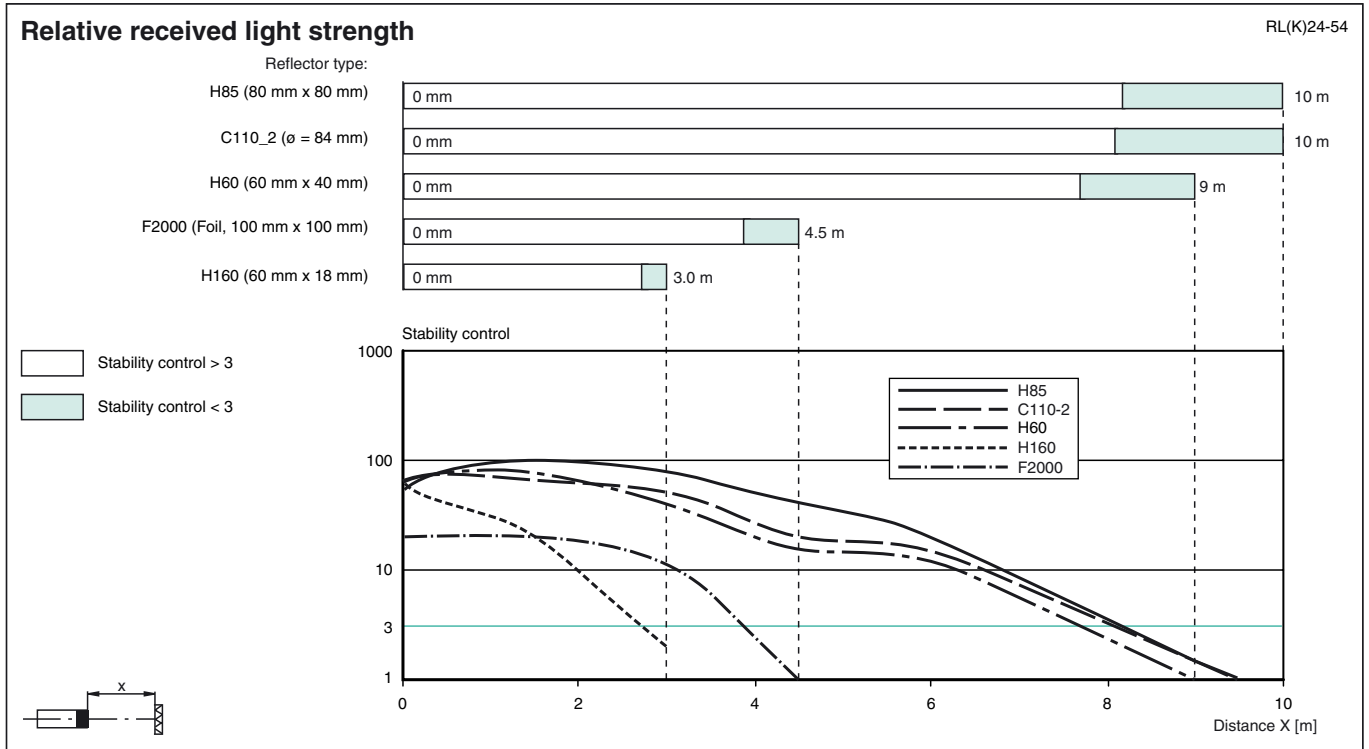
Ambient temperature	-20 ... 60 °C (253 ... 333 K)
Storage temperature	-20 ... 75 °C (253 ... 348 K)

### Mechanical specifications

Protection degree	IP65
Connection	terminal compartment
Material	
Housing	GF17
Optical face	glass
Mass	115 g

## Curves/Diagrams





Release date: 2009-08-18 16:16 Date of issue: 2009-08-18 419042\_ENG.xml