



**Model Number**

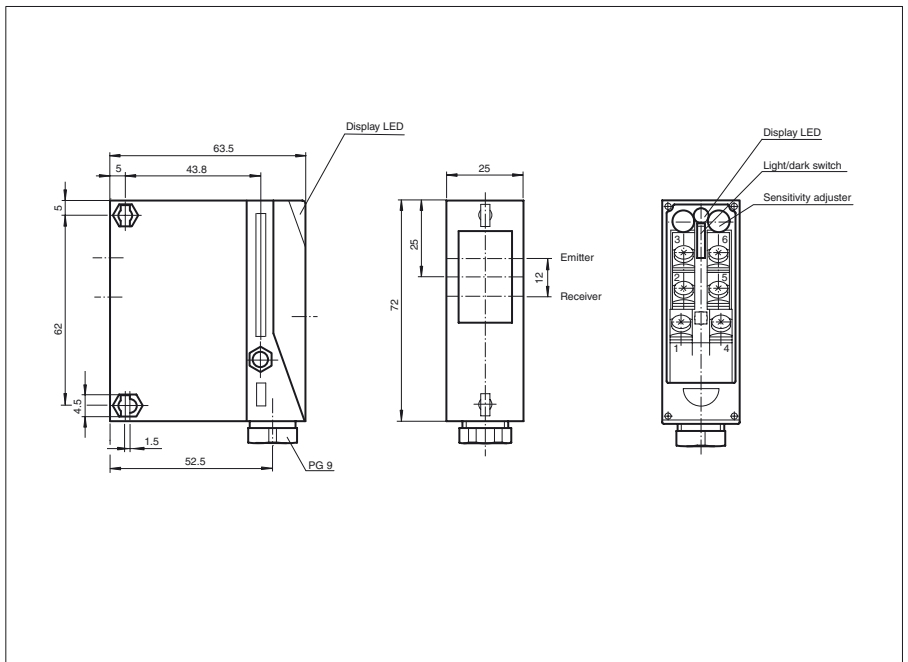
**RL25-55/35/47/116**

Retroreflective sensor with polarization filter  
with terminal compartment

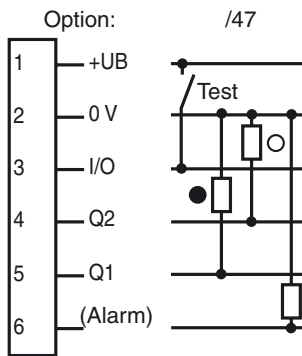
**Features**

- Sensing range up to 8 m, optional 14 m
- Compact design
- Sensitivity adjuster and light-/dark switch
- Pre-fault indication and output
- Test input

**Dimensions**



**Electrical connection**



○ = Light on  
● = Dark on

Release date: 2007-09-21 11:07 Date of issue: 2011-01-26 418975\_ENG.xml

Subject to modifications without notice

Pepperl+Fuchs Group  
www.pepperl-fuchs.com

USA: +1 330 486 0001  
fa-info@us.pepperl-fuchs.com

Germany: +49 621 776-4411  
fa-info@pepperl-fuchs.com

Copyright Pepperl+Fuchs  
Singapore: +65 6779 9091  
fa-info@sg.pepperl-fuchs.com

**Technical data****General specifications**

Effective detection range	0 ... 8000 mm
Reflector distance	400 ... 8000 mm
Threshold detection range	14 m (with C110-2 reflector)
Reference target	reflector C110-2
Light source	LED
Light type	modulated visible red light
Approvals	CE, cULus
Diameter of the light spot	approx. 250 mm at a distance of 10 m
Angle of divergence	approx. 2 °
Ambient light limit	80000 Lux

**Indicators/operating means**

Function display	LED green, lights up when light beam is free/flashes when falling short of the stability control
Controls	sensitivity adjustment
Controls	Light/Dark switch

**Electrical specifications**

Operating voltage	$U_B$	10 ... 30 V DC
Ripple		10 %
No-load supply current	$I_0$	40 mA

**Input**

Test input	Emitter deactivation
------------	----------------------

**Output**

Output of the pre-fault indication	1 PNP	
Switching type	light/dark on switchable	
Signal output	2 PNP, complementary, short-circuit protected, reverse polarity protected	
Switching voltage	30 V DC	
Switching current	max. 200 mA	
Switching frequency	$f$	250 Hz
Response time		2 ms

**Standard conformity**

Standards	EN 60947-5-2
-----------	--------------

**Ambient conditions**

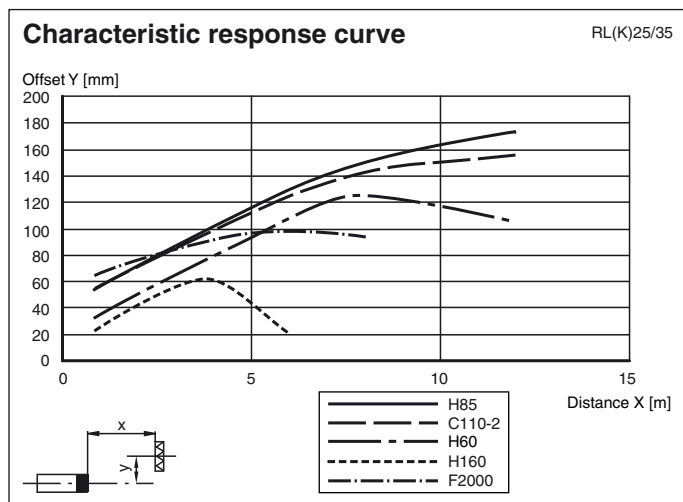
Ambient temperature	-20 ... 60 °C (-4 ... 140 °F)
Storage temperature	-20 ... 75 °C (-4 ... 167 °F)

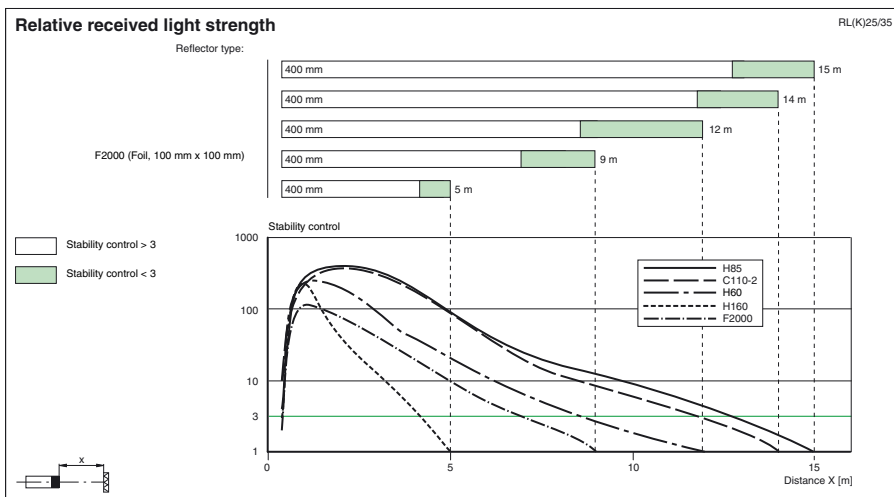
**Mechanical specifications**

Protection degree	IP65
Connection	terminal compartment
Material	
Housing	Terluran GV15
Optical face	glass
Mass	90 g

**Approvals and certificates**

CCC approval	Products with a maximum operating voltage of $\leq 36$ V do not bear a CCC marking because they do not require approval.
--------------	--

**Curves/Diagrams**



Release date: 2007-09-21 11:07 Date of issue: 2011-01-26 418975\_ENG.xml