



MLV40-54/49/92

Retro-reflective sensor with polarisation filter

# MLV40-54/49/92

with M12, 4-pin metal connector



- ◆ Sturdy aluminium housing
- ◆ Scratch-resistant and solvent resistant optical covering made of glass
- ◆ Pre-fault indication
- ◆ Glare protected with polarisation filter

**General specifications**

Effective detection range	0.1 ... 1000 mm
Reflector distance	100 ... 1000 mm
Threshold detection range	2000 mm (with H60 reflector)
Light source	LED
Approvals	CE, cULus
Light type	red, modulated light
Diameter of the light spot	approx. 100 mm at 1000 mm detection range
Angle of divergence	approx. 3 °
Ambient light limit	80000 Lux

**Indicators/operating means**

Function display	LED yellow, lights up when light beam is unblocked, flashes when falling short of the stability control
------------------	---

**Electrical specifications**

Operating voltage	10 ... 30 V DC
Ripple	5 %
No-load supply current I <sub>0</sub>	40 mA

**Output**

Switching type	dark ON
Signal output	1 pnp and 1 npn short-circuit proof, protected against reverse polarity
Switching voltage	max. 30 V DC
Switching current	max. 200 mA
Switching frequency f	500 Hz
Response time	1 ms

**Standard conformity**

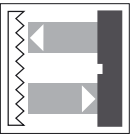
Standards	EN 60947-5-2
-----------	--------------

**Ambient conditions**

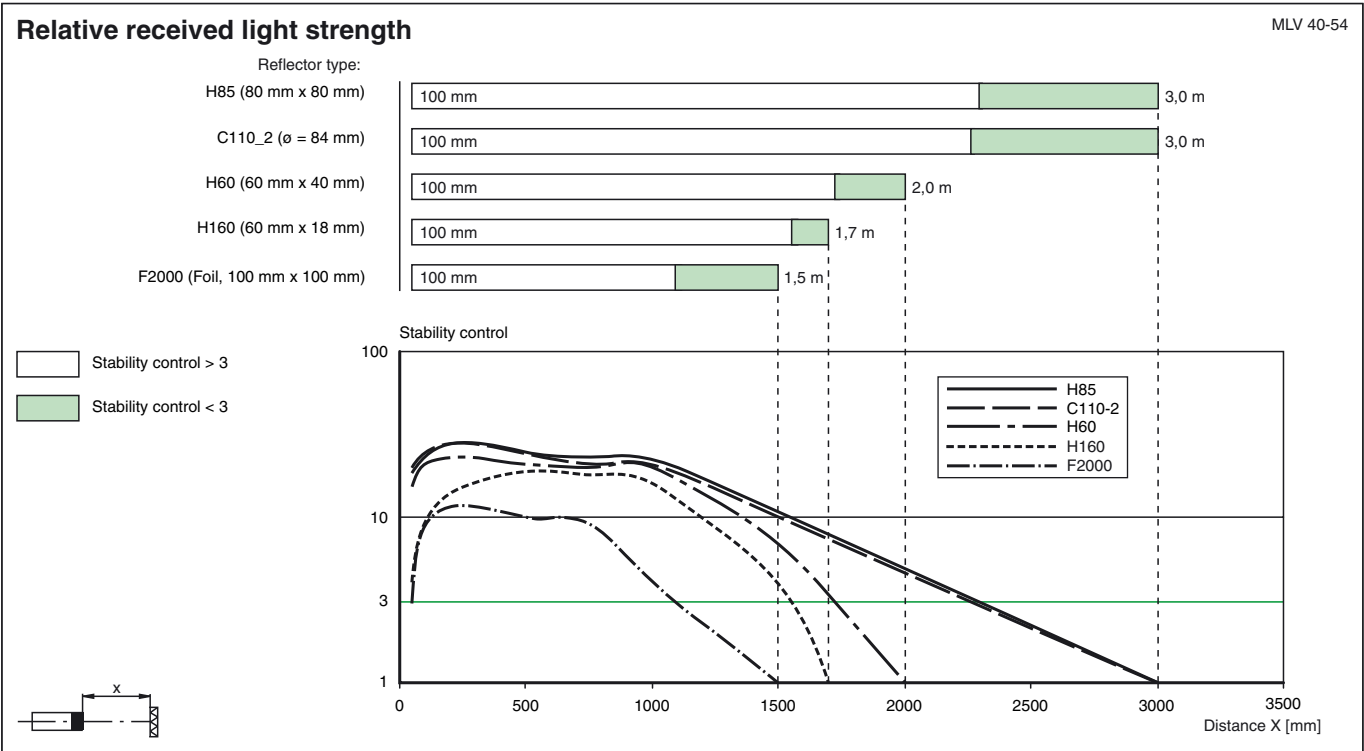
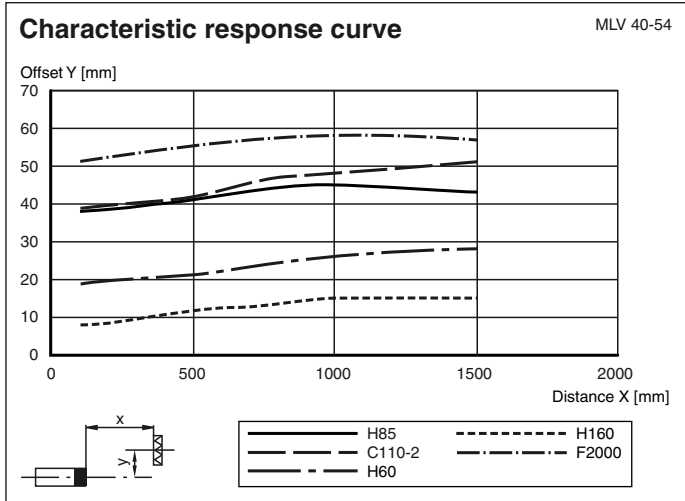
Ambient temperature	-20 ... 60 °C (253 ... 333 K)
Storage temperature	-20 ... 75 °C (253 ... 348 K)

**Mechanical specifications**

Protection degree	IP65
Connection	M12 connector, 4-pin
Material	
Housing	aluminium
Optical face	glass
Mass	100 g

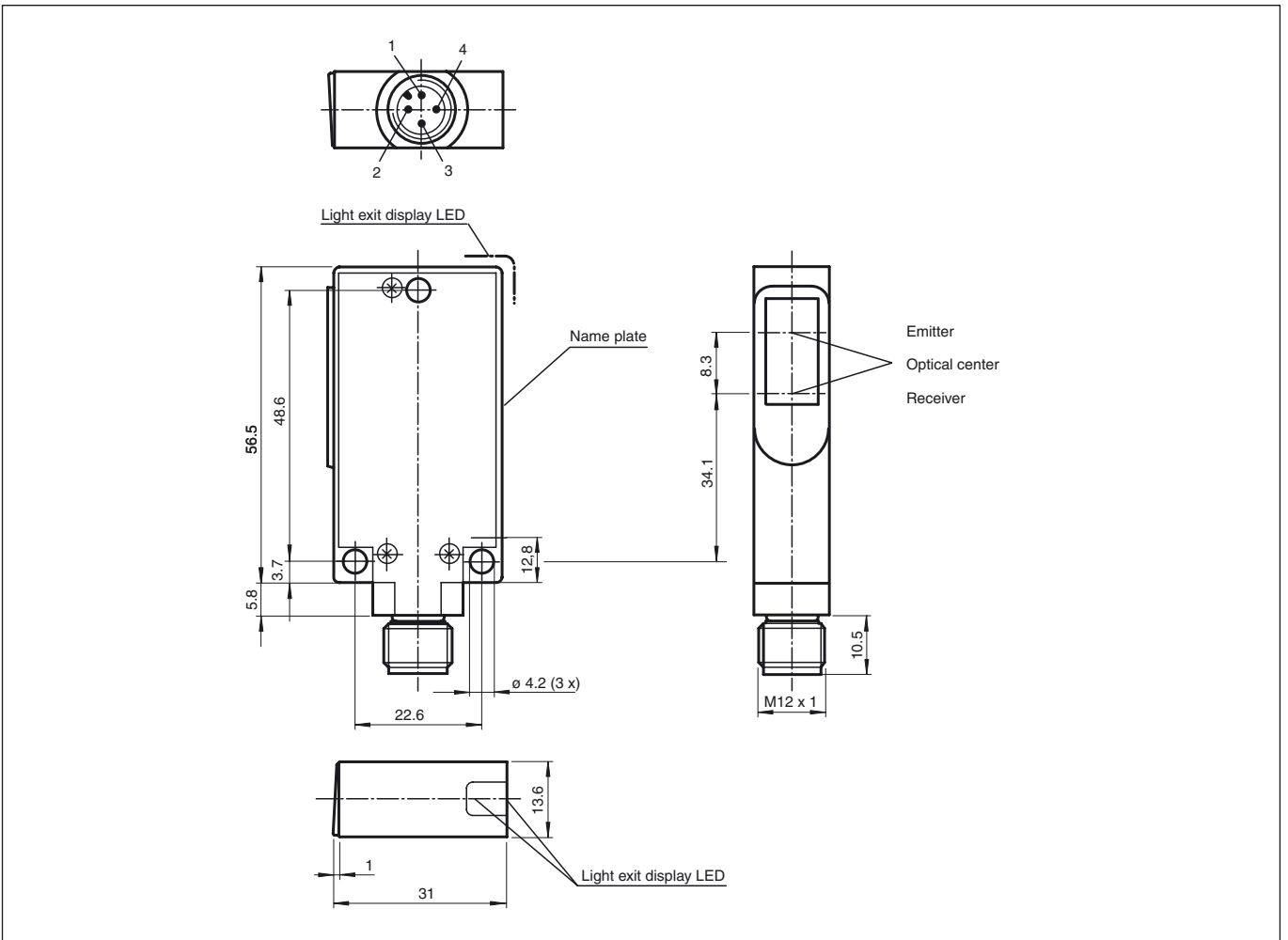


# MLV40-54/49/92

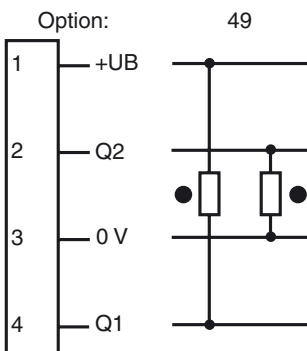


Release date: 2007-01-24 12:10 Date of issue: 2007-01-24 418859\_ENG.xml

Dimensions



Electrical connection



○ = light on, ● = dark on