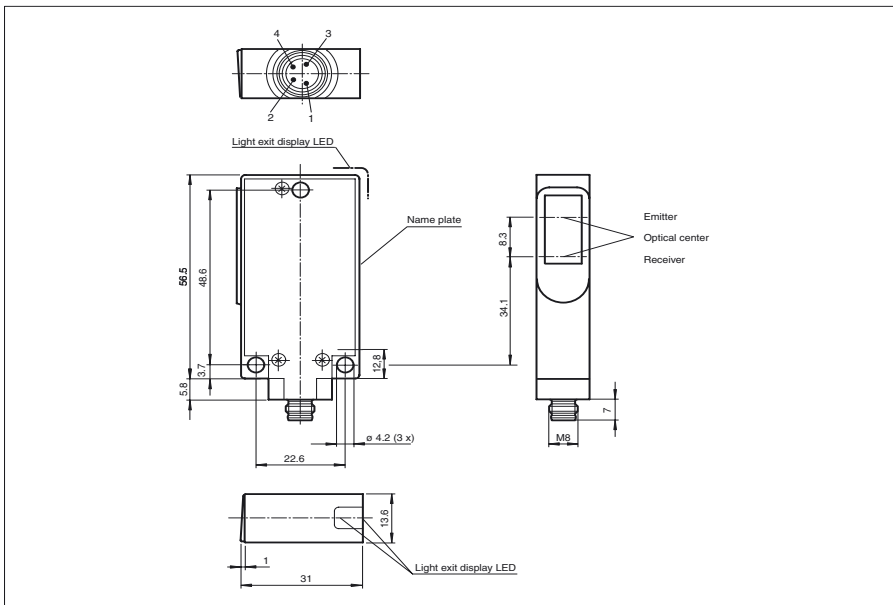




**Dimensions**



**Model Number**

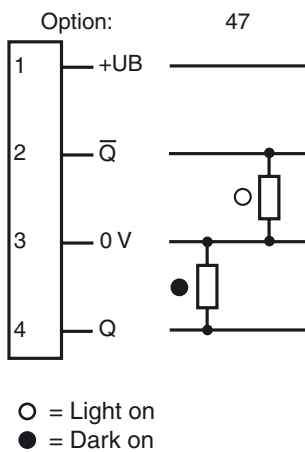
**MLV40-54/47/95**

Retro-reflective sensor with polarisation filter  
with M8, 4-pin metal connector

**Features**

- Sturdy aluminium housing
- Scratch-resistant and solvent resistant optical covering made of glass
- Pre-fault indication
- Glare protected with polarisation filter

**Electrical connection**



Release date: 2008-09-30 08:01 Date of issue: 2008-09-30 418855\_ENG.xml

## Technical data

### General specifications

Effective detection range	0.1 ... 1.7 m (with H60 reflector)
Reflector distance	0.1 ... 1.5 m
Threshold detection range	2000 mm (with H60 reflector)
Light source	LED
Approvals	CE, cULus
Light type	red, modulated light
Diameter of the light spot	approx. 150 mm at detection range 1.7 m
Angle of divergence	approx. 5 °
Ambient light limit	80000 Lux

### Indicators/operating means

Function display	LED yellow, lights up when light beam is unblocked, flashes when falling short of the stability control
------------------	---

### Electrical specifications

Operating voltage	$U_B$	10 ... 30 V DC
Ripple		5 %
No-load supply current	$I_0$	40 mA

### Output

Switching type	light/dark switching	
Signal output	2 pnp, antivalent, short-circuit proof, protected against reverse polarity	
Switching voltage	max. 30 V DC	
Switching current	max. 200 mA	
Switching frequency	f	500 Hz
Response time		1 ms

### Standard conformity

Standards	EN 60947-5-2
-----------	--------------

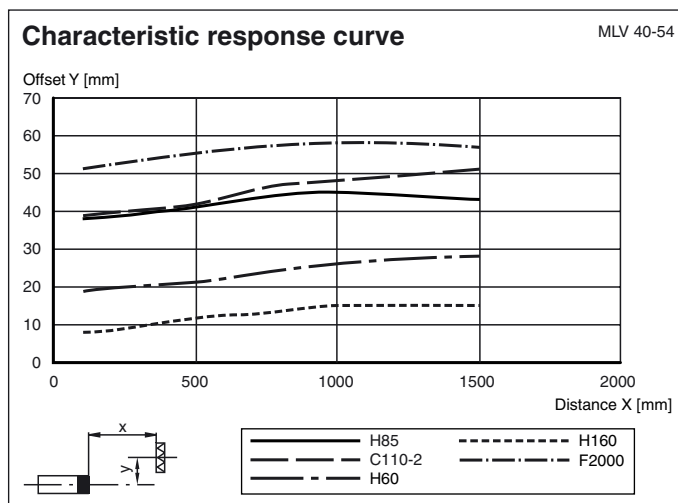
### Ambient conditions

Ambient temperature	-20 ... 60 °C (253 ... 333 K)
Storage temperature	-20 ... 75 °C (253 ... 348 K)

### Mechanical specifications

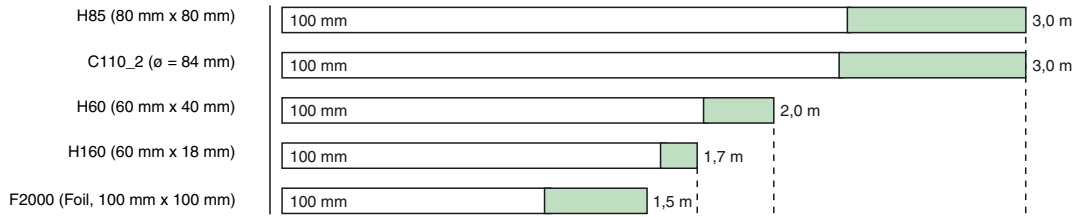
Protection degree	IP65
Connection	Metal connector M8, 4-pin
Material	
Housing	aluminium
Optical face	glass pane
Mass	100 g

## Curves / Diagrams



Relative received light strength

Reflector type:



Stability control > 3  
 Stability control < 3

Stability control

