



**Model Number**

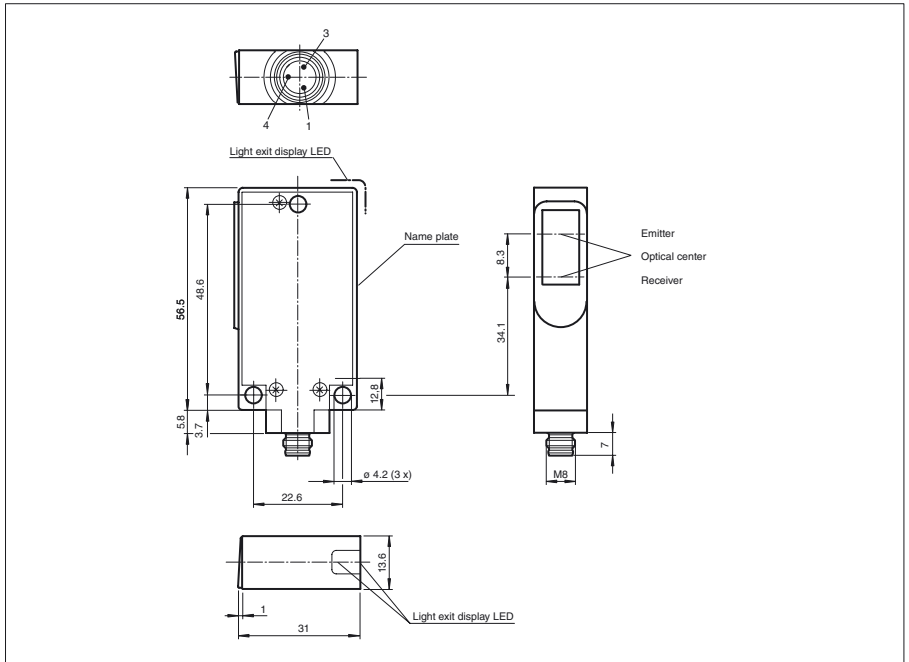
**MLV40-6/32/98**

Retroreflective sensor  
with 3-pin, M8 x 1 connector

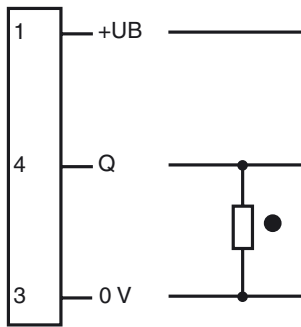
**Features**

- Sturdy aluminum housing
- Scratch-resistant and solvent resistant glass lens
- Pre-fault indication

**Dimensions**



**Electrical connection**



**Pinout**



Release date: 2012-09-04 10:16 Date of issue: 2012-09-04 418829\_eng.xml

**Technical data****General specifications**

Effective detection range	0.1 ... 2 m
Reflector distance	100 ... 2000 mm
Threshold detection range	4 m (with H60 reflector)
Light source	IREL
Light type	modulated infrared light
Approvals	CE, cULus
Diameter of the light spot	100 mm at 2000 mm detection range
Angle of divergence	approx. 4 °
Ambient light limit	80000 Lux

**Indicators/operating means**

Function display	LED yellow, lights up when light beam is free, flashes when falling short of the stability control
------------------	--

**Electrical specifications**

Operating voltage	$U_B$	10 ... 30 V DC
Ripple		5 %
No-load supply current	$I_0$	40 mA

**Output**

Switching type	dark on	
Signal output	1 PNP output, short-circuit protected, reverse polarity protected, open collector	
Switching voltage	max. 30 V DC	
Switching current	max. 200 mA	
Switching frequency	$f$	500 Hz
Response time		1 ms

**Standard conformity**

Standards	EN 60947-5-2
-----------	--------------

**Ambient conditions**

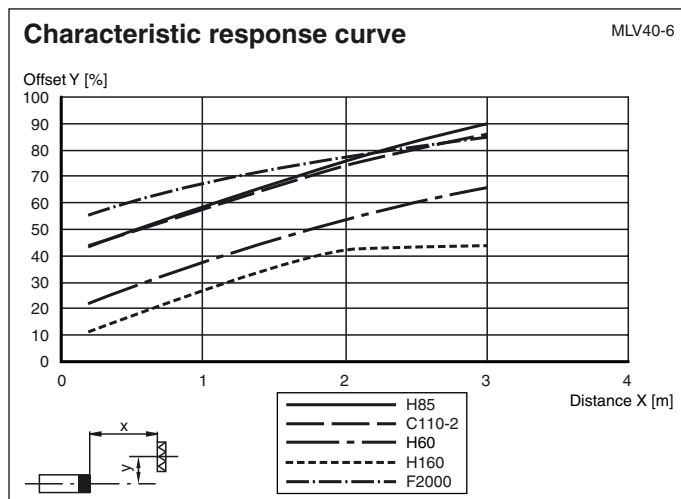
Ambient temperature	-20 ... 60 °C (-4 ... 140 °F)
Storage temperature	-20 ... 75 °C (-4 ... 167 °F)

**Mechanical specifications**

Protection degree	IP65
Connection	M8 connector, 3-pin
Material	
Housing	aluminum
Optical face	glass
Mass	100 g

**Approvals and certificates**

CCC approval	Products with a maximum operating voltage of $\leq 36$ V do not bear a CCC marking because they do not require approval.
--------------	--

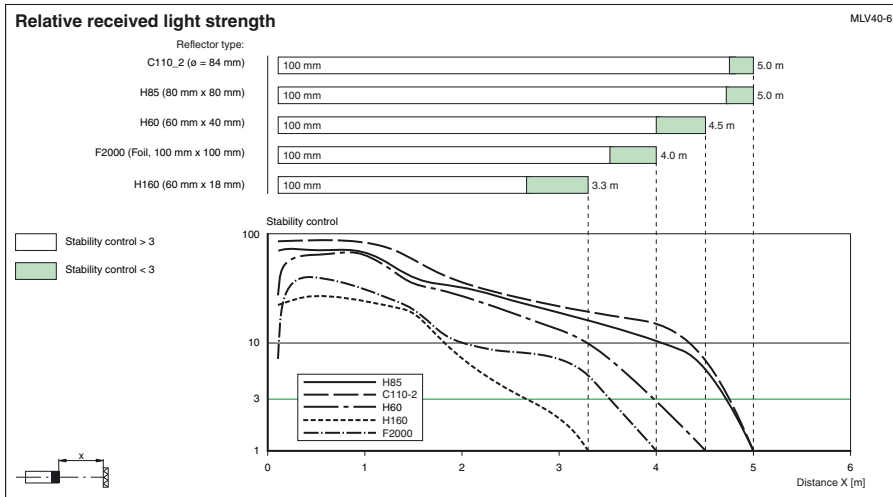
**Curves/Diagrams****Accessories****V3-GM-2M-PUR**

Cable socket, M8, 3-pin, PUR cable

**V3-WM-2M-PUR**

Cable socket, M8, 3-pin, PUR cable

Other suitable accessories can be found at [www.pepperl-fuchs.com](http://www.pepperl-fuchs.com)



Release date: 2012-09-04 10:16 Date of issue: 2012-09-04 418829\_eng.xml