



GL80-2276

Fork type light beam switch

# GL80-2276

with 3-pin, M8 connector

CE



- ◆ High switching frequency
- ◆ Sensitivity adjuster and light/dark switch as standard features of this series
- ◆ Sturdy aluminium housing
- ◆ Protection degree IP67

Release date: 2005-08-17 14:21 Date of issue: 2005-09-05 418719\_ENG.xml

**General specifications**

Light source	IRED
Tests	EN 60947-5-2
Marking	CE
Obstacle size	0.5 mm
Fork width	80 mm
Light type	infrared, modulated light
Ambient light limit	80000 Lux

**Indicators/operating means**

Function display	LED red in the connector plug, illuminates with free light beam
Operating elements	Sensitivity adjuster, light/dark switch

**Electrical specifications**

Operating voltage	10 ... 30 V DC
Ripple	10 %
No-load supply current $I_0$	20 mA

**Output**

Switching type	light/dark switching
Signal output	1 PNP output, short-circuit proof, protected from reverse polarity, open collector
Switching voltage	max. 30 V DC
Switching current	max. 200 mA
Switching frequency $f$	350 Hz
Response time	1 ms

**Ambient conditions**

Ambient temperature	-20 ... 60 °C (253 ... 333 K)
Storage temperature	-20 ... 75 °C (253 ... 348 K)

**Mechanical specifications**

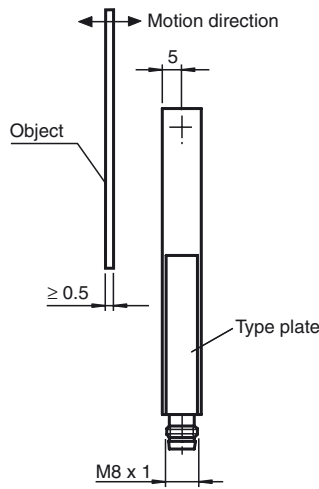
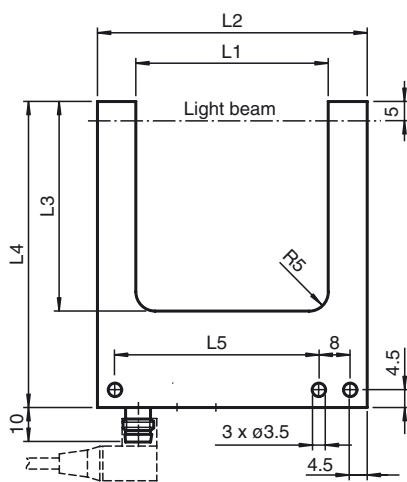
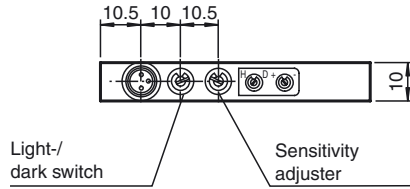
Protection degree	IP67
Connection	M8 connector, 3-pin
Material	
Housing	aluminium
Optical face	glass
Mass	70 g

Release date: 2005-08-17 14:21 Date of issue: 2005-09-05 418719\_ENG.xml

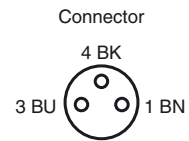


# GL80-2276

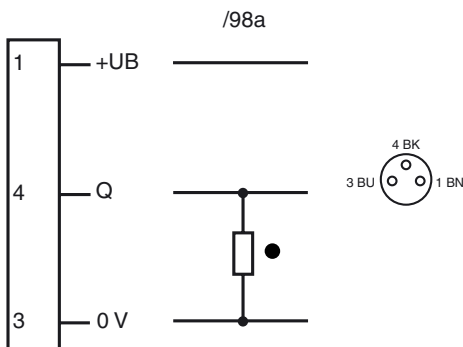
## Dimensions



	L1	L2	L3	L4	L5
GL30...	30	50	35	60	33
GL50...	50	70	55	80	53
GL80...	80	100	55	80	83



## Electrical connection



○ = light on, ● = dark on

Release date: 2005-08-17 14:21 Date of issue: 2005-09-05 418719\_ENG.xml