



Model Number

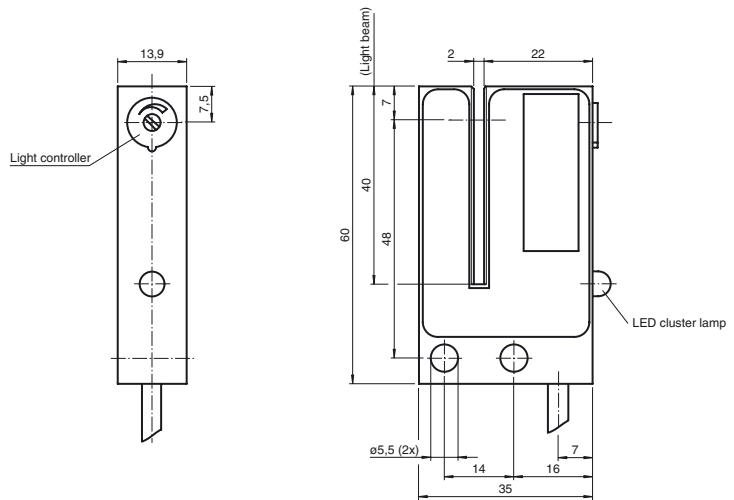
ML19/59

Photoelectric slot sensor
with fixed cable

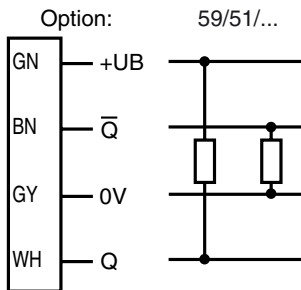
Features

- High switching frequency
- Sensitivity adjuster
- Very small light beam diameter
- Infrared continuous light

Dimensions



Electrical connection



- = Light on
- = Dark on

Release date: 2004-09-22 10:28 Date of issue: 2010-09-23 418697_ENG.xml

Technical data**General specifications**

Light source	IREC
Light type	infrared
Tests	EN 60947-5-2
Marking	CE
Target size	0.2 mm
Fork width	2 mm
Ambient light limit	100000 Lux

Indicators/operating means

Function display	LED yellow, light with free light beam
Controls	sensitivity adjustment

Electrical specifications

Operating voltage	U_B	24 V DC
Ripple		10 %
No-load supply current	I_0	70 mA

Output

Switching type	Dark on
Signal output	1 PNP and 1 NPN, not short-circuit proof, open collector, synchronized-switching
Switching voltage	max. 30 V DC
Switching current	max. 200 mA
Switching frequency	f 10000 Hz
Response time	50 μ s

Ambient conditions

Ambient temperature	-20 ... 60 °C (-4 ... 140 °F)
Storage temperature	-20 ... 75 °C (-4 ... 167 °F)

Mechanical specifications

Protection degree	IP65
Connection	2 m fixed cable
Material	
Housing	aluminium
Optical face	glass
Mass	90 g