



**Model Number**

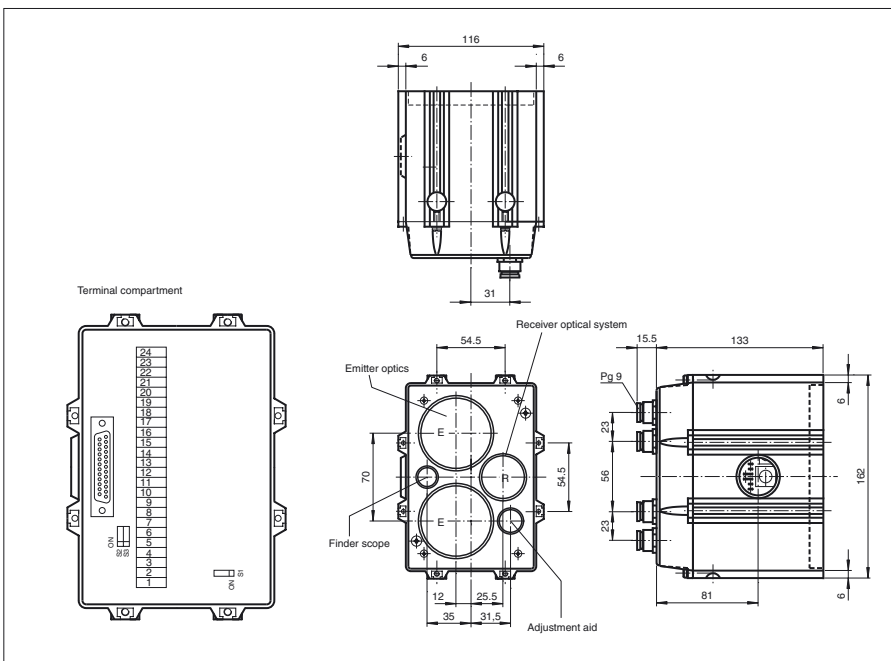
**LS600-DA-P-RT/F1**

Optical data coupler

**Features**

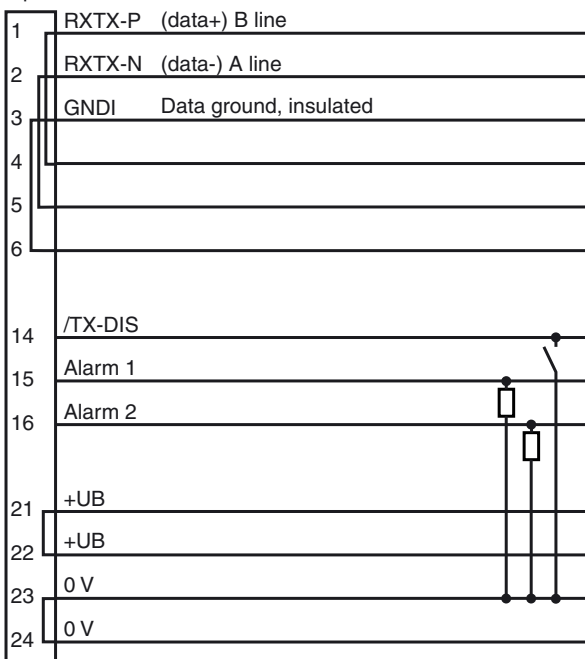
- Sensing range up to 130 m
- Data transmission up to 500 kbit/s
- Devices for PROFIBUS
- Easy adjustment by integrated alignment LED and finder scope
- Connection with spring-loaded terminals
- Sturdy aluminum housing
- Problem-free light beam interruption possible
- Mounting bracket included in delivery

**Dimensions**



**Electrical connection**

Option:



○ = Light on  
● = Dark on

Release date: 2008-05-06 11:07 Date of issue: 2011-02-17 418573\_ENG.xml

**Technical data****General specifications**

Effective detection range	0.5 ... 100 m
Threshold detection range	130 m
Light source	LED
Light type	modulated visible red light
Approvals	CE
Alignment aid	Telescopic sight, frontal red LED flashing, off with Signal > sufficient stability control
Transmission mode	FSK
Diameter of the light spot	2500 mm at a distance of 100 m
Angle of divergence	1.4 °
Ambient light limit	1000 Lux

**Indicators/operating means**

Data flow display	LED green: emitter LED yellow: receiver
Function display	LED red: 1-fold stability control LEDgreen: Sufficient stability control
Controls	8-fold DIP-switch

**Electrical specifications**

Operating voltage	$U_B$	24 V DC $\pm$ 25 %
No-load supply current	$I_0$	450 mA
Data sampling blanking		emitter deactivation at 0 V
Data rate		9.6 ... 500 kBit/s , adjustable
Operation frequency		F1 = 8.5 MHz

**Interface**

Interface type	PROFIBUS, galvanically isolated
----------------	---------------------------------

**Output**

Output of the pre-fault indication	2 PNP-outputs, short-circuit protected, 30 V DC 0.1 A activated for single or sufficient stability control
------------------------------------	--

**Standard conformity**

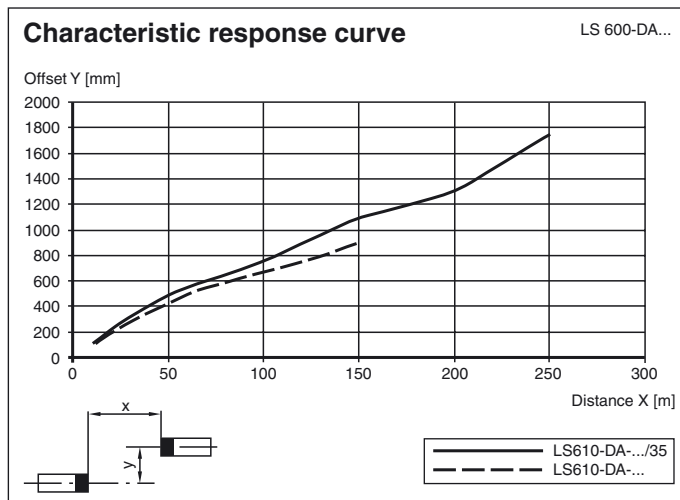
Standards	EN 60947-5-2
-----------	--------------

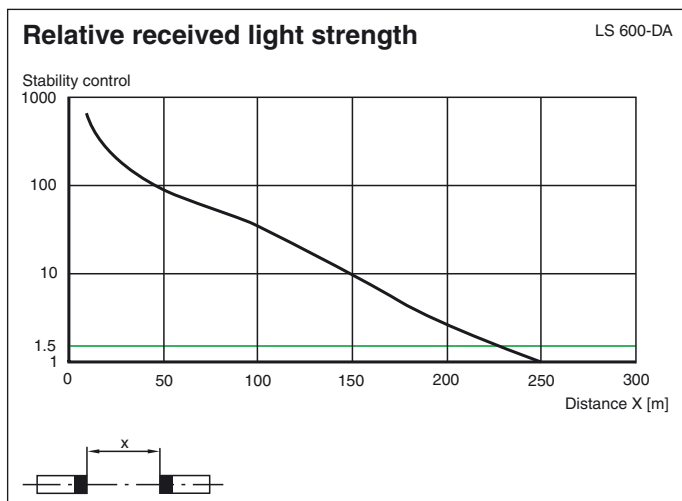
**Ambient conditions**

Ambient temperature	-20 ... 50 °C (-4 ... 122 °F)
Storage temperature	-20 ... 75 °C (-4 ... 167 °F)

**Mechanical specifications**

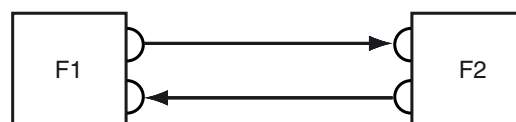
Protection degree	IP65
Connection	4 PG9 cable glands, cage tension spring terminals in the terminal compartment
Material	
Housing	aluminium
Optical face	plastic lenses, glass windows
Mass	2000 g

**Curves/Diagrams**



## Function

The LS600-DA-P is a device for serial data transfer for PROFIBUS-systems with transfer rates up to 500 kbit/s and detection range up to 200 m. The device can easily be employed for data rates and effective operating distances below these values. An LS 600-DA-P with an average frequency F1 and an LS 600-DA-P with an average frequency F2 are required for a data transfer route.



### Data transfer

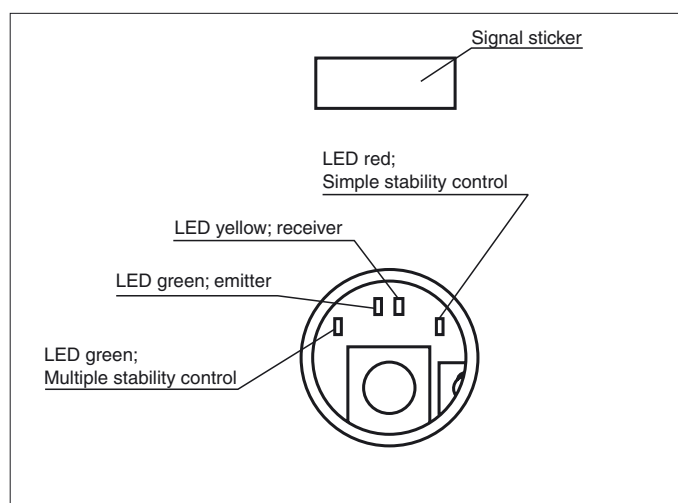
The data is transferred in both directions with modulated infrared light. The information that is present on the input interface is modulated to the carrier signal by means of the frequency shift keying (FSK). The corresponding demodulation and output to the output interface take place in the receiver. The complete transfer process takes place without the use of a protocol.

### Function display/stability control

The red function display LED lights up if the level of the received signal is sufficient for an error-free transfer. The transfer is enabled beginning at this signal level. The green LED lights up for a sufficient stability control.

This system flashes red after the device is turned on and thus makes the receiver clearly visible at a great distance. If the reception level for the transfer exceeds the minimum required value, the flashing alignment aid is turned off. If the reception level for the transfer exceeds the minimum required value, the flashing alignment aid is turned off.

If data is received, a yellow LED lights up, if data is transmitted, a green LED lights up.



### Switch position in the terminal compartment

The housing connection of the data shield can be switched from galvanic (ON) to capacitive (OFF) with the S1 switch on the terminal print (10 nF/630 V).

- |           |  |
|-----------|--|
| S1        | ON = cable shield directly on the housing<br>OFF = cable shield capacitive on the housing  |
| S2 and S3 | ON = PROFIBUS inputs and outputs, connected (for commissioning of tested electronics unit)<br>OFF = PROFIBUS inputs and outputs, not connected (standard-PROFIBUS) |

## Interface

Release date: 2008-05-06 11:07 Date of issue: 2011-02-17 418573\_ENG.xml

Subject to modifications without notice

Pepperl+Fuchs Group  
www.pepperl-fuchs.com

USA: +1 330 486 0001  
fa-info@us.pepperl-fuchs.com

Germany: +49 621 776-4411  
fa-info@pepperl-fuchs.com

Copyright Pepperl+Fuchs  
Singapore: +65 6779 9091  
fa-info@sg.pepperl-fuchs.com

**PEPPERL+FUCHS**  
SENSING YOUR NEEDS

The LS 600 DA-P has an interface adapter. To be able to ensure that the PROFIBUS telegrams are monitored on the light reception side and telegrams that are not correct for the PROFIBUS are suppressed, the repeater function must be activated. The signals are then regenerated in the correct bit and character format. Telegrams are transmitted on the bus with quartz stabilisation.

If the repeater function is activated, the baud rate must be correctly adjusted with the Sd switch. If the setting is incorrect, there is no transfer.

A bus short-circuit involving a segment, for example, is not transferred to the other side.

If the repeater function is deactivated, you can select the behaviour on the bus side when the light beam is interrupted with the Sa switch.

ON = "BREAK" (duration low)

OFF = Data output Tri-state

Each PROFIBUS line must have a termination. With an optical data coupler at the end of a bus line, the PROFIBUS has to be provided with a termination combination.

The bus termination can be turned on and off with the Sb and Sc switch on the interface print.

**Switches Sb, Sc: PROFIBUS termination:**

On: active  
 Off: without terminal resistor

The Sb and Sc switches must only be used together!

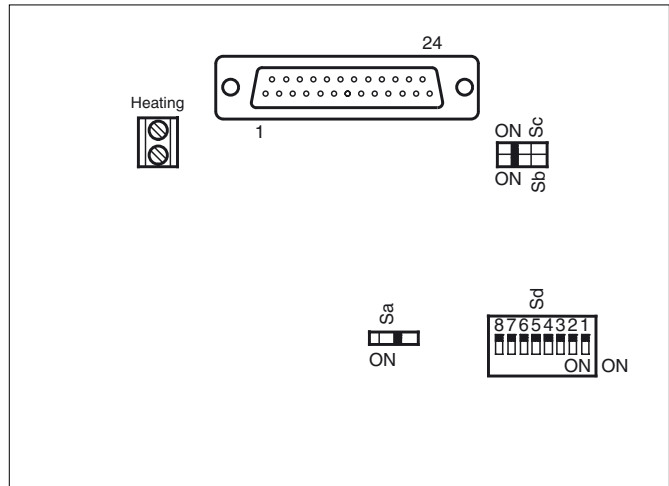
**Switch Sd: Baudrate setting**

- Sd.1: n. c.
- Sd.2: 500 k
- Sd.3: 375 k
- Sd.4: 187.5 k
- Sd.5: 93.75 k
- Sd.6: 19.2 k
- Sd.7: 9.6 k

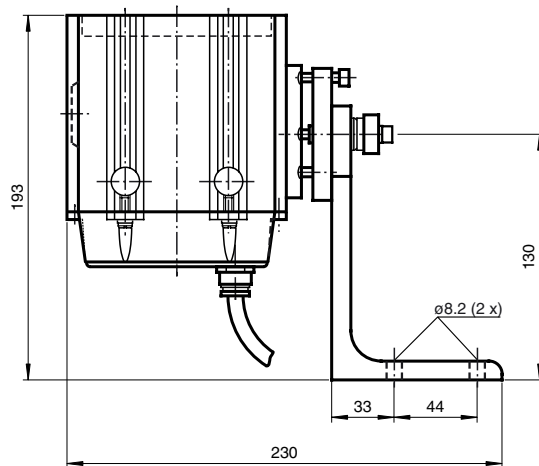
Sd.8 = "off": repeater active  
 Sd.8 = "on": repeater inactive

**Switch Sa: Behaviour when light beam is interrupted**

On: special behaviour  
 Off: high-ohm (Tri-state)



**Mounting bracket**



Release date: 2008-05-06 11:07 Date of issue: 2011-02-17 418573\_ENG.xml