



Model Number

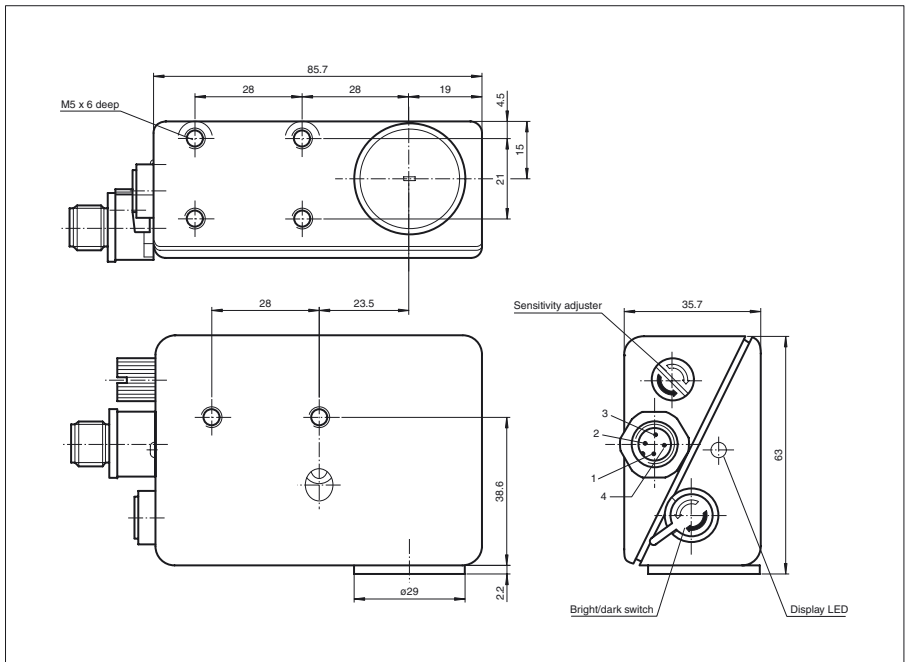
RL-UV4/32/92

Print mark contrast sensor with 4-pin, M12 x 1 connector

Features

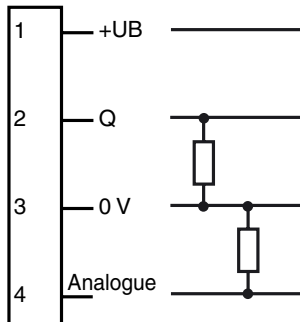
- Diffuse mode sensor for recording fluorescent marks or materials
- UV, emitter light
- Switch output and analog output
- Sturdy, waterproof metal housing

Dimensions

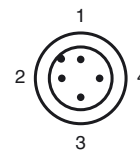


Electrical connection

Option: /32/92



Pinout



Release date: 2007-12-04 13:14 Date of issue: 2011-01-26 417997_ENG.xml

Technical data

General specifications

Detection range	28 mm +/- 3 mm
Light source	LED
Light type	modulated UV light
Light spot representation	7 mm x 1 mm at sensor range 28 mm
Approvals	CE

Indicators/operating means

Function display	LED green, lights up with receiver lit
Controls	Sensitivity adjuster, light/dark switch

Electrical specifications

Operating voltage	U_B	12 ... 30 V DC
Ripple		10 %
No-load supply current	I_0	55 mA

Output

Switching type	light/dark on	
Signal output	1 PNP, short-circuit protected	
Switching voltage	max. 30 V DC	
Switching current	200 mA	
Measurement output	Analog output 0.5 ... 8 V DC	
Switching frequency	f	90 Hz
Response time		0.7 ms

Standard conformity

Standards	EN 60947-5-2
-----------	--------------

Ambient conditions

Ambient temperature	-20 ... 50 °C (-4 ... 122 °F)
Storage temperature	-20 ... 75 °C (-4 ... 167 °F)

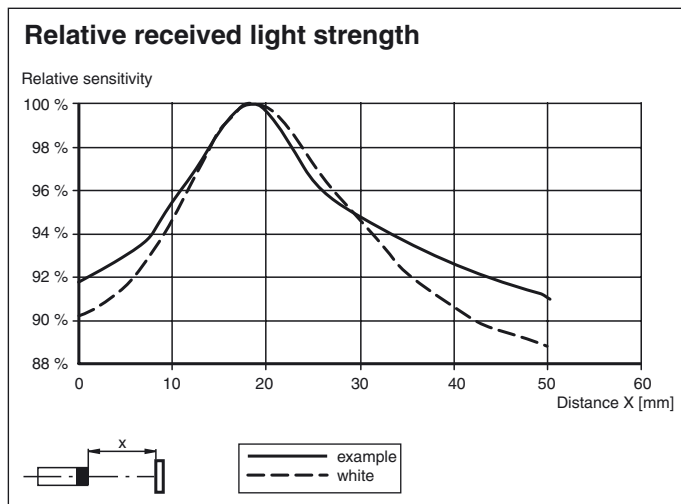
Mechanical specifications

Protection degree	IP67
Connection	M12 connector, 4-pin
Material	
Housing	diecast aluminum
Optical face	glass
Mass	290 g

Approvals and certificates

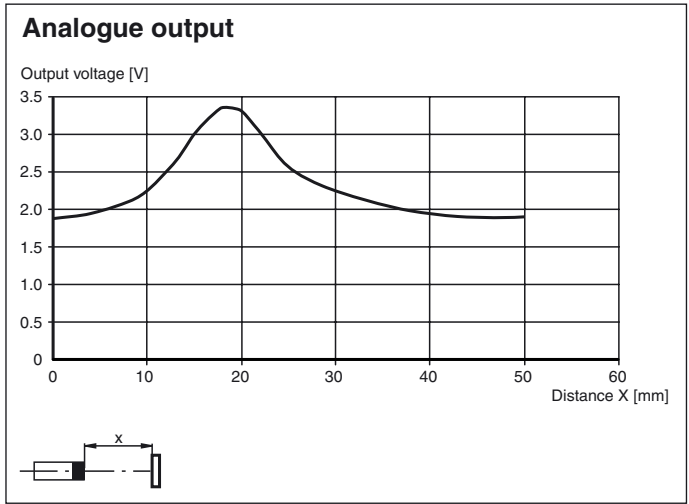
CCC approval

Products with a maximum operating voltage of ≤ 36 V do not bear a CCC marking because they do not require approval.





Curves/Diagrams



Release date: 2007-12-04 13:14 Date of issue: 2011-01-26 417997_ENG.xml

Subject to modifications without notice

Pepperl+Fuchs Group
www.pepperl-fuchs.com

USA: +1 330 486 0001
fa-info@us.pepperl-fuchs.com

Germany: +49 621 776-4411
fa-info@pepperl-fuchs.com

Copyright Pepperl+Fuchs
Singapore: +65 6779 9091
fa-info@sg.pepperl-fuchs.com