



**Model Number**

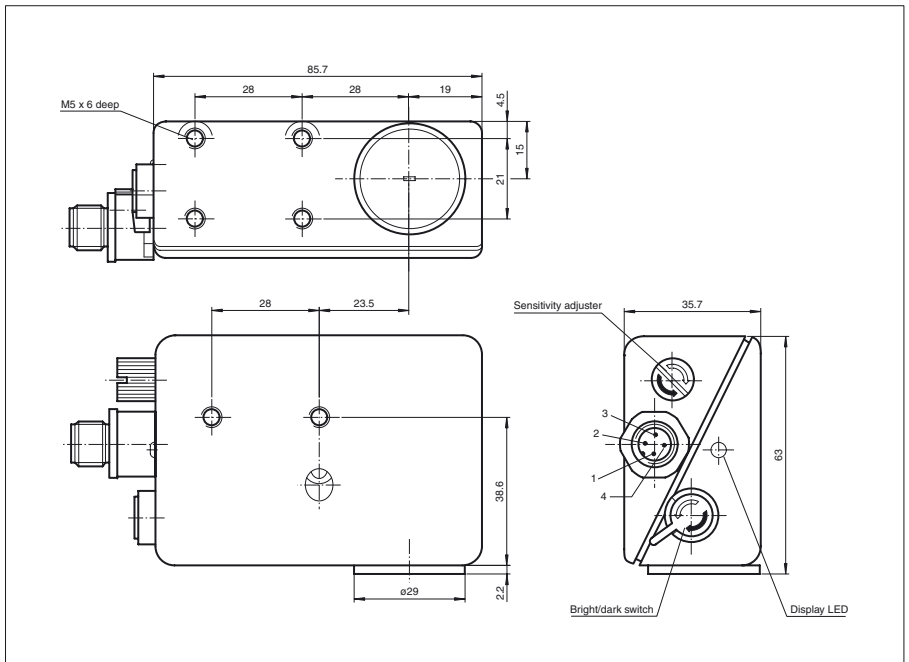
**RL-UV3/G/K/92**

Print mark contrast sensor with M12, 4-pin metal connector

**Features**

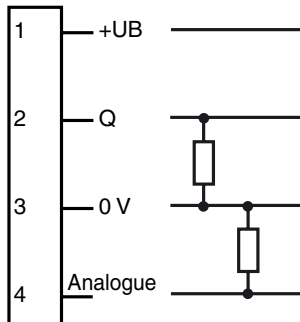
- Diffuse mode sensor for recording fluorescent marks or materials
- UV, emitter light
- Switch output and analog output
- Sturdy, waterproof metal housing

**Dimensions**

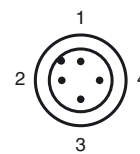


**Electrical connection**

Option: /32/92



**Pinout**



Release date: 2007-12-04 13:14 Date of issue: 2011-01-26 417994\_ENG.xml

Subject to modifications without notice

Pepperl+Fuchs Group  
www.pepperl-fuchs.com

USA: +1 330 486 0001  
fa-info@us.pepperl-fuchs.com

Germany: +49 621 776-4411  
fa-info@pepperl-fuchs.com

Copyright Pepperl+Fuchs  
Singapore: +65 6779 9091  
fa-info@sg.pepperl-fuchs.com

## Technical data

### General specifications

Detection range	0 ... 100 mm
Light source	LED
Light type	modulated UV light
Light spot representation	9 mm at 20 mm sensor range
Approvals	CE

### Indicators/operating means

Function display	LED green, lights up with receiver lit
Controls	Sensitivity adjuster, light/dark switch

### Electrical specifications

Operating voltage	$U_B$	12 ... 30 V DC
Ripple		10 %
No-load supply current	$I_0$	55 mA

### Output

Switching type	light/dark on	
Signal output	1 NPN, short-circuit protected	
Switching voltage	max. 30 V DC	
Switching current	30 mA	
Measurement output	Analog output 0.5 ... 8 V DC	
Switching frequency	f	90 Hz
Response time		100 $\mu$ s

### Standard conformity

Standards	EN 60947-5-2
-----------	--------------

### Ambient conditions

Ambient temperature	-20 ... 50 °C (-4 ... 122 °F)
Storage temperature	-20 ... 75 °C (-4 ... 167 °F)

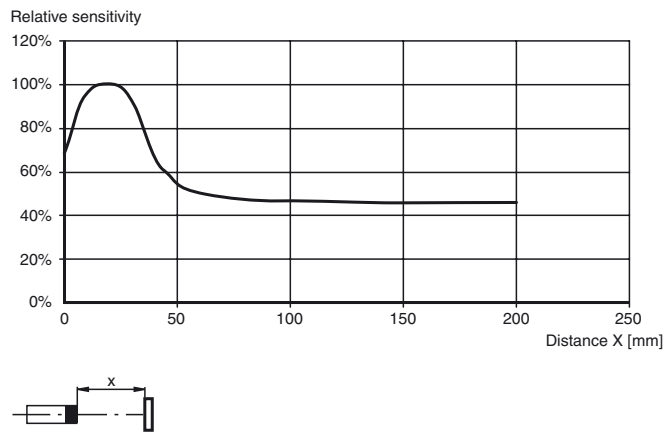
### Mechanical specifications

Protection degree	IP67
Connection	M12 connector, 4-pin
Material	
Housing	diecast aluminum
Optical face	glass
Mass	290 g

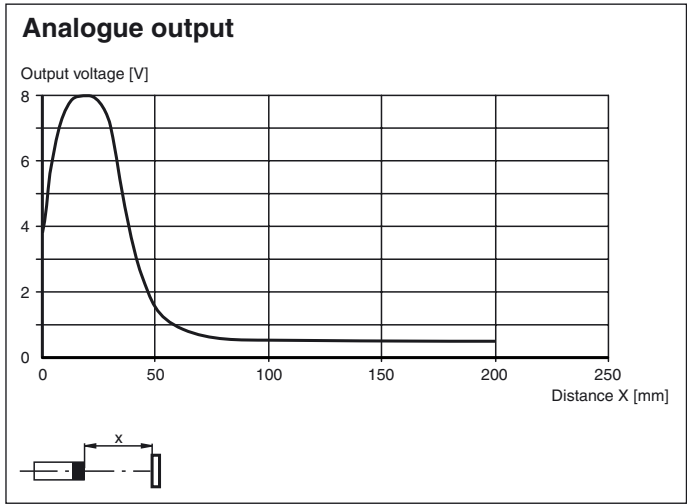
### Approvals and certificates

CCC approval                      Products with a maximum operating voltage of  $\leq 36$  V do not bear a CCC marking because they do not require approval.

### Relative received light strength



**Curves/Diagrams**



Release date: 2007-12-04 13:14 Date of issue: 2011-01-26 417994\_ENG.xml

Subject to modifications without notice

Pepperl+Fuchs Group  
www.pepperl-fuchs.com

USA: +1 330 486 0001  
fa-info@us.pepperl-fuchs.com

Germany: +49 621 776-4411  
fa-info@pepperl-fuchs.com

Copyright Pepperl+Fuchs

Singapore: +65 6779 9091  
fa-info@sg.pepperl-fuchs.com