



Model Number

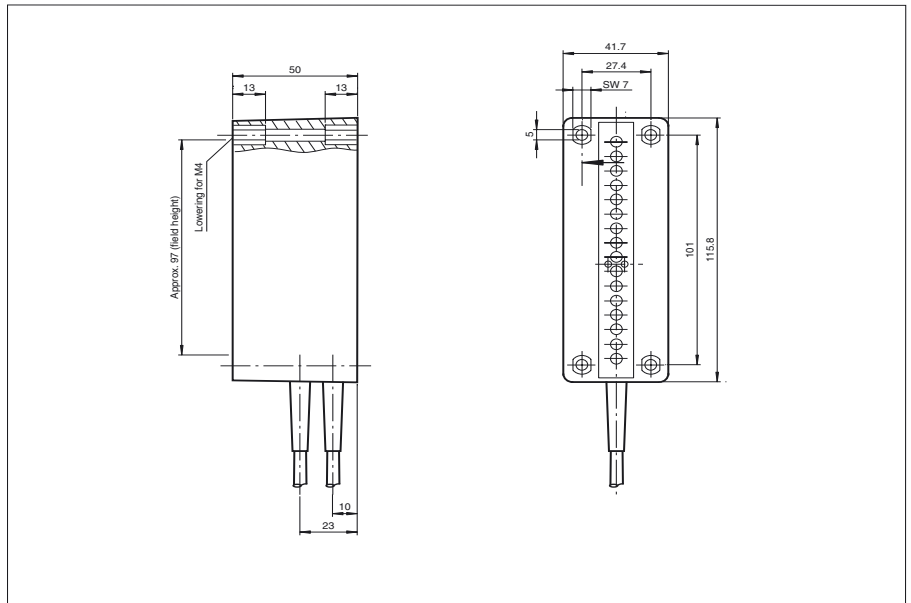
PR16-30-K-2-F-F

Light grid
with fixed cable

Features

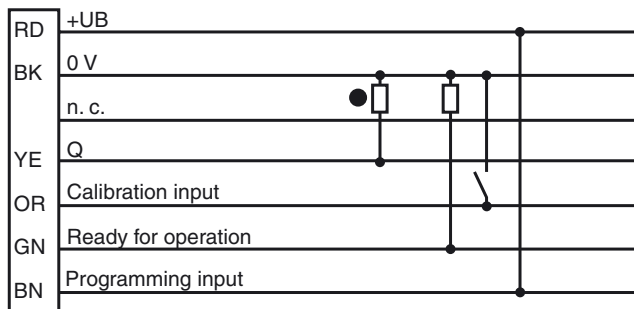
- Detection range up to 1500 mm
- High-resolution light grid
- Suitable for recording of transparent objects
- Light grid with 16 beams, crossed or parallel
- Smallest obstacle size 2 mm
- Automatic switching threshold adaptation eliminates soiling effects

Dimensions

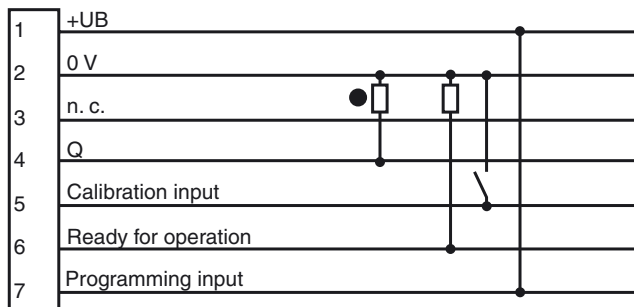


Electrical connection

Cable version



Connector version



○ = Light on
● = Dark on

Release date: 2007-09-24 09:54 Date of issue: 2007-09-24 417964_ENG.xml

Technical data

General specifications

Effective detection range	300 ... 500 mm
Threshold detection range	500 mm
Light source	IREL
Approvals	CE
Field height	97 mm
Obstacle size	2 mm
Beam spacing	6.5 mm
Number of beams	16
Sensing range	0 ... 500 mm
Light type	infrared, modulated light
Angle of divergence	± 8 °
Ambient light limit	20000 Lux

Indicators/operating means

Function display	LED yellow, functional readiness, LED red, switching state, lights up when the beam field is interrupted
------------------	----------------------------------------------------------------------------------------------------------

Electrical specifications

Operating voltage	24 ... 28 V DC
Ripple	5 %

Input

Function input	Calibration input > 10 ms, ground active, fixed saving the switching threshold
----------------	--------------------------------------------------------------------------------

Output

Switching type	dark ON
Signal output	1 pnp, short-circuit proof, open collector
Switching voltage	max. 28 V DC
Switching current	100 mA
Switching frequency	f 25 Hz
Response time	10 ms

Standard conformity

Standards	EN 60947-5-2
-----------	--------------

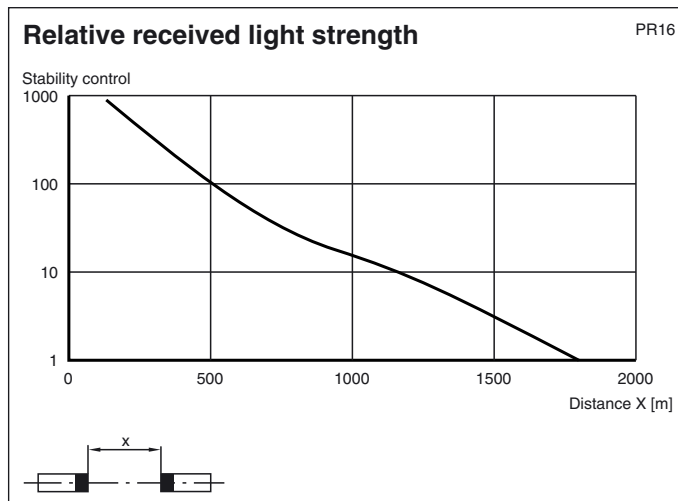
Ambient conditions

Ambient temperature	-15 ... 50 °C (258 ... 323 K)
Storage temperature	-20 ... 75 °C (253 ... 348 K)

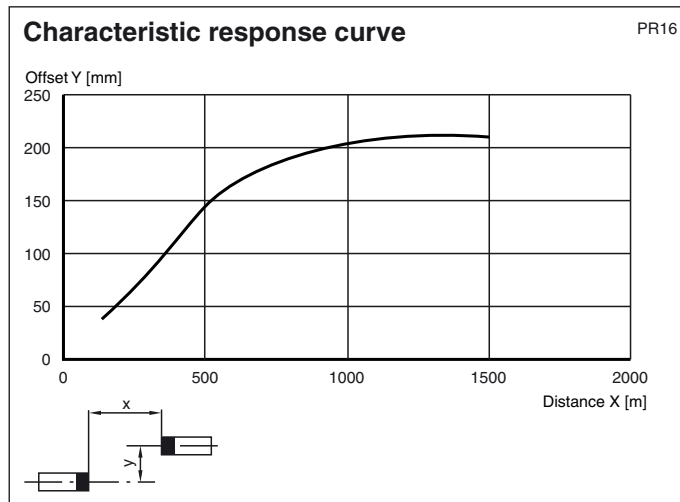
Mechanical specifications

Protection degree	IP67
Connection	2.5 m cable
Material	
Housing	ABS
Optical face	PMMA
Mass	150 g (device)

Curves/Diagrams



Release date: 2007-09-24 09:54 Date of issue: 2007-09-24 417964_ENG.xml



Course of the beams



Accessories

Model number

Cable connector for light grid PR: V18-PR-ASK-VIS
 Interconnecting cable for light grid PR: V18-PR-Verb-VIS