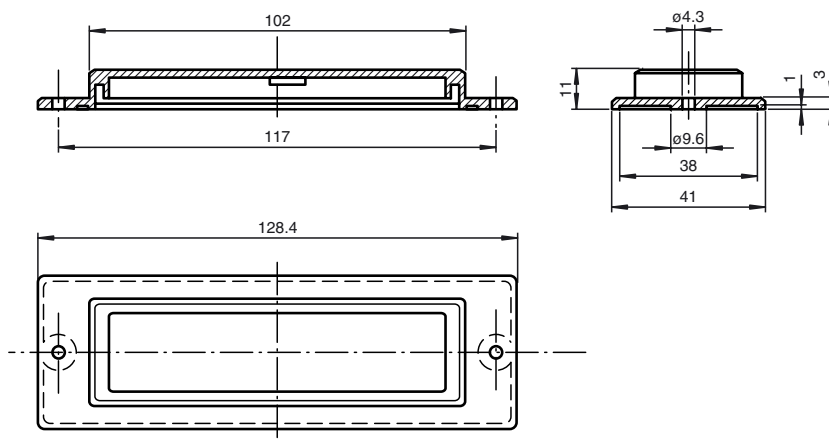




Dimensions



Model number

EINBAUDECKEL AIR30

Flush-mounted cover for AIR30 series sensors

Technical data

Mechanical specifications

Material	plastic
Mass	approx. 16 g

Suitable series

Series	AIR30
--------	-------