



### Model Number

**REF-140**

Lens reflector for distance sensors and distance measurement devices

### Features

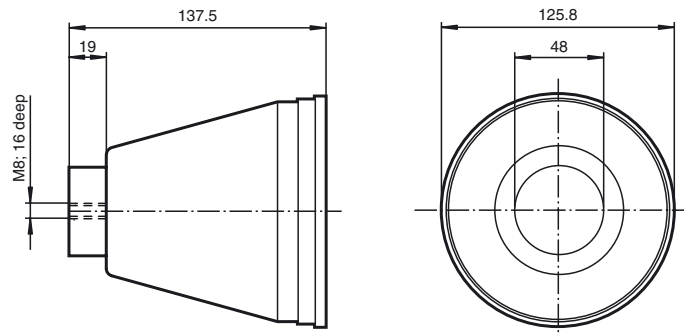
- Suitable for distance sensors

### Accessories

**HALTEWINKEL R140 EDM**

Mounting bracket for lens reflector R140

### Dimensions



### Technical data

#### General specifications

Construction type circular

#### Ambient conditions

Ambient temperature -20 ... 85 °C (-4 ... 185 °F)

#### Mechanical specifications

Dimensions 137.5 mm x 125.8 mm

Mounting screw fixing

#### Suitable series

Series EDM , VDM