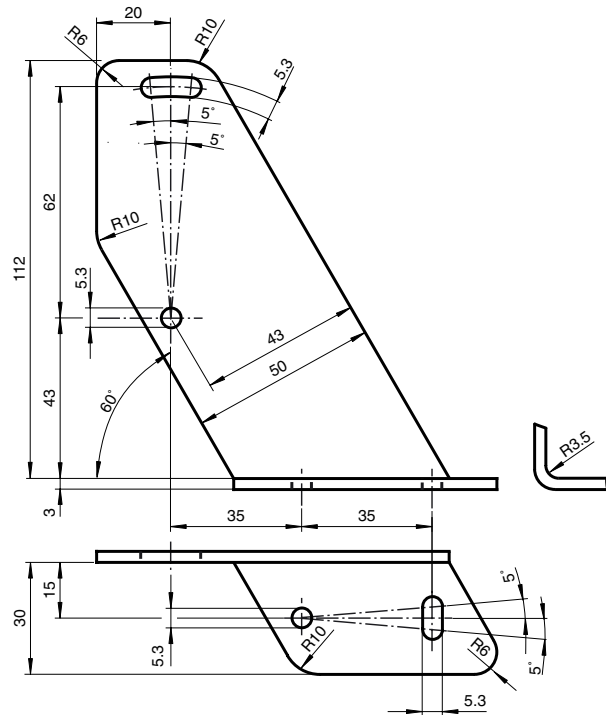




## Dimensions



## Model number

OMH-21

Mounting bracket

## Features

- Mounting bracket
- Simple and fast mounting

## Technical data

## Mechanical specifications

Material	Steel, powder coated
Mass	approx. 175 g
Mounting	Mounting accessories included

## Suitable series

Series	RL23 RL28 RL29
Safety Series	SLA20 SLA28 SL29, SLA29