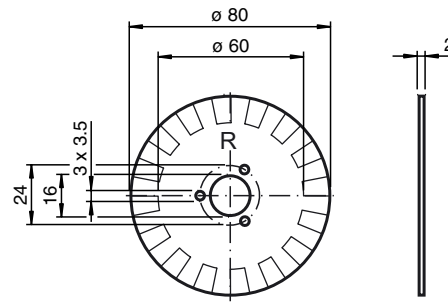


Dimensions



Model Number

SS15/080 901299

Segmentscheibe

Technical data

Nominal ratings

Number of segments 15

Ambient conditions

Ambient temperature -25 ... 70 °C (248 ... 343 K)

Mechanical specifications

Material FR-4

Surface chemical Sn