



Model Number

ODT-MAC431-HD-WH-MC

Stationary multicode read device for all common 1D, 2D, and Pharmacodes at speeds of 2 m/s, angled line of vision, side illumination, Ethernet, VGA output, RS 232 interface

Features

- All common 1D or 2D codes can be read
- 30 scans per second
- Passage speed 2 m/s
- VGA output
- Integrated error image memory

Function

The stationary reader is a reading system for the recognition of data matrix codes. With a powerful signal processor and optimized decoding algorithms, the device delivers extremely high reading speeds.

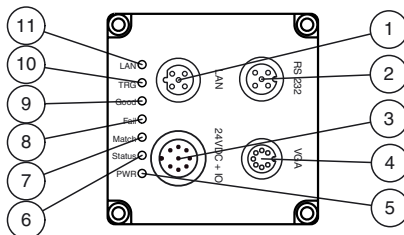
The configuration is easy and comfortable via the standard Ethernet interface using a standard web browser or via serial port.

The device is supported by an VGA video output. In addition, the device has an integrated error image memory.

Typical operative range of stationary readers are:

- Document handling
- Printing machines
- Identification in packaging and warehousing technology
- Detection of PCBs

Indicating / Operating means



1	Socket LAN
2	Socket RS 232
3	Connector 24VDC + IO
4	Socket VGA
5	PWR
6	Status
7	Match
8	Fail
9	Good
10	TRG
11	LAN

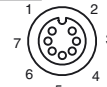
Electrical connection

RS 232



Pin	Signal
1	+UB
2	TX RS232
3	GND
4	RX RS232
5	IN 5 / OUT 3

VGA



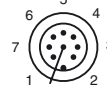
Pin	Signal
1	OUT VSYNC
2	GND
3	OUT R
4	OUT G
5	GND
6	OUT B
7	OUT HSYNC

LAN



Pin	Signal
1	TX+ Ethernet
2	RX+ Ethernet
3	TX- Ethernet
4	RX- Ethernet

(24 V DC + I/O)



Pin	Signal
1	IN TRG / OUT 1
2	+UB
3	OUT Good / IN 1
4	OUT Fail / IN 2
5	IN 3
6	IN 4 / OUT 2
7	GND
8	OUT Match

Release date: 2012-09-12 16:10 Date of issue: 2012-09-12 247755_eng.xml

Technical data**General specifications**

Light type	Integrated LED lightning (white)
Symbologies	Maxi Code, PDF 417, Data Matrix, QR Code, MicroPDF 417, GoCode, UCC Composite, Aztec Code, Code 39, Code 128, UPC, EAN, JAN, Int 2 of 5, Codabar, Code 93, UCC RSS, POSTNET, PLANET, Japanese Post, Australia Post, Royal Mail, RM4SCC, KIX Code, Codablock, Pharmacode
Read distance	60 mm
Depth of focus	± 3 mm
Reading field	max. 15 mm x 10 mm
Modul size	≥ 0.1 mm
Sensor principle	Camera system
Evaluation frequency	max. 30 Hz
Target velocity	triggered ≤ 2 m/s

Nominal ratings

Camera	
Type	CMOS , Global shutter
Number of pixels	752 x 480 pixels
Gray scale	256
Image recording	real-time , Program-controlled or triggered externally

Indicators/operating means

Operating display	LED green: Ready for operation
LED indicator	for good/poor reading , Trigger , LAN , Match code

Electrical specifications

Operating voltage	U_B	24 V DC ± 15% , PELV
No-load supply current	I_0	max. 250 mA
Power consumption	P_0	6 W

Interface

Physical	Ethernet
Protocol	TCP/IP
Transfer rate	100 MBit/s
Cable length	max. 30 m

Interface 1

Interface type	RS 232
Protocol	ASCII
Transfer rate	9600 Bit/s ... 115200 Bit/s
Cable length	max. 30 m

Input

Input voltage	to be applied externally 24 V ± 15% PELV
Input current	approx. 10 mA at 24 V DC
Cable length	max. 30 m

Output

Number/Type	4 electronic outputs, PNP
Switching voltage	24 V ± 15 %
Switching current	100 mA each output
Cable length	max. 30 m

Output 1

Output type	Video output, RGB (75 Ohm), 1 Vpp
Resolution	VGA, 800 x 600 pixels
Cable length	2 m

Ambient conditions

Ambient temperature	0 ... 45 °C (32 ... 113 °F)
Storage temperature	-20 ... 60 °C (-4 ... 140 °F)

Mechanical specifications

Protection degree	IP65
Connection	8-pin, M12x1 connector, standard (supply+IO) M12 x 1 female connector, 5-pin, standard (IO) 4-pin, M12x1 socket, standard (LAN) Video: 7-pin socket
Material	
Housing	powder coated diecast zinc
Mass	approx. 760 g

Compliance with standards and directives

Directive conformity	
EMC Directive 2004/108/EC	EN 61326-1 , EN 61000-6-4
Standard conformity	
Noise immunity	EN 61326-1
Emitted interference	EN 61000-6-4
Protection degree	EN 60529
Laser class	IEC 60825-1:2007

Accessories**V19-G-2M-PUR-ABG**

Cable socket, M12, 8-pin, shielded, PUR cable

V15S-G-5M-PUR-ABG

Male cordset, M12, 5-pin, shielded, PUR cable

V1SD-G-2M-PUR-ABG-V45-G

Connection cable, M12 to RJ-45, PUR cable 4-pin, CAT5e

V1SD-G-2M-PUR-ABG-V45X-G

Connection cable, M12 to RJ-45, PUR cable 4-pin, CAT5e

V19-G-2,5M-PUR-ABG-SUBD25

Connection cable, M12 to SUB-D, PUR cable 8-pin

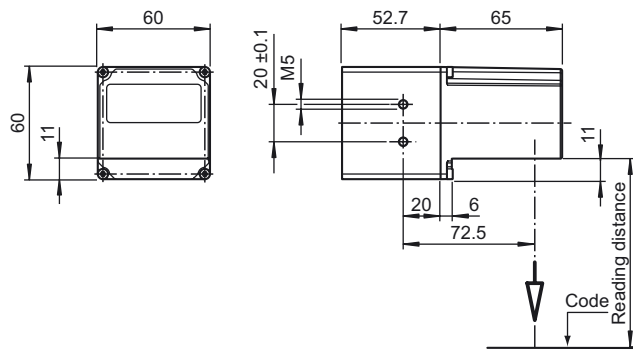
ODZ-MAC-CAB-VIDEO

Video cable VGA

Other suitable accessories can be found at www.pepperl-fuchs.com



Dimensions



Release date: 2012-09-12 16:10 Date of issue: 2012-09-12 247755_eng.xml