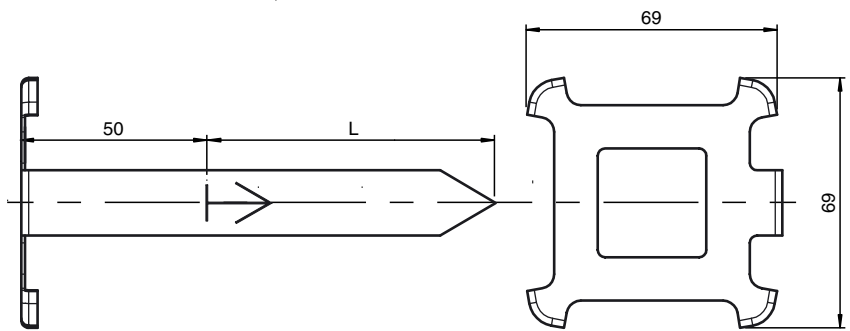




Dimensions



Model Number

PCV-AG100

Alignment guide for PCV100-* read head

Technical data

General specifications

Description Alignment guide for the PCV100-* read head Distance: 100†mm

Mechanical specifications

Material	Metal sheet (steel), zinc-plated
Mass	42 g
Dimensions	L = 100 mm

Release date: 2012-03-19 13:32 Date of issue: 2012-04-23 244215_eng.xml