



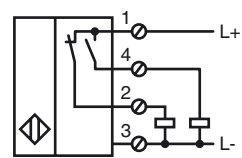
Model Number

NRN75-FP-A2-P3

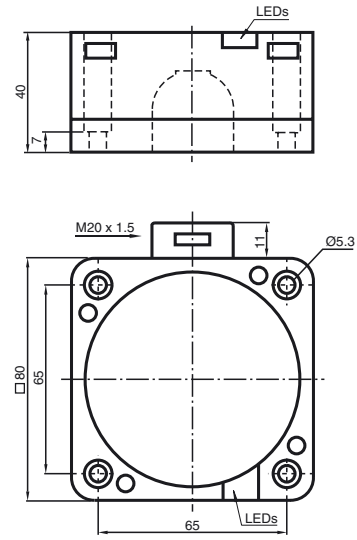
Features

- 75 mm non-flush
- Reduction factor = 1
- Magnetic field resistant

Connection



Dimensions



Technical Data

General specifications		
Switching element function		PNP NO/NC
Rated operating distance	s_n	75 mm
Installation		non-flush
Output polarity		DC
Assured operating distance	s_a	0 ... 55 mm
Reduction factor r_{Al}		1
Reduction factor r_{Cu}		1
Reduction factor r_{304}		1
Reduction factor r_{S137}		1
Nominal ratings		
Operating voltage	U_B	10 ... 30 V DC
Switching frequency	f	0 ... 50 Hz
Hysteresis	H	typ. 3 %
Reverse polarity protected		reverse polarity protected
Short-circuit protection		pulsing
Voltage drop	U_d	≤ 3 V
Rated insulation voltage	U_{BIS}	50 V
Operating current	I_L	0 ... 200 mA
Off-state current	I_r	0 ... 0.5 mA
No-load supply current	I_0	≤ 20 mA
Operating voltage display		LED, green
Indication of the switching state		LED, yellow
Functional safety related parameters		
MTTF _d		824 a
Mission Time (T_M)		20 a
Diagnostic Coverage (DC)		0 %
Ambient conditions		
Ambient temperature		0 ... 50 °C (32 ... 122 °F) (± 10 % changing operating distance) -25 ... 70 °C (-13 ... 158 °F) (± 20 % changing operating distance)
Mechanical specifications		
Connection type		screw terminals
Core cross-section		≤ 2.5 mm ²
Housing material		PBT
Sensing face		PBT
Housing base		aluminum painted
Protection degree		IP68
Compliance with standards and directives		
Standard conformity		
Standards		EN 60947-5-2:2007 IEC 60947-5-2:2007
Approvals and certificates		
Protection class		II
Rated insulation voltage	U_i	60 V
Design-impulse-voltage withstand	U_{imp}	800 V
UL approval		cULus Listed, General Purpose
CSA approval		cCSAus Listed, General Purpose
CCC approval		Products with a maximum operating voltage of ≤ 36 V do not bear a CCC marking because they do not require approval.

Release date: 2012-05-04 09:48 Date of issue: 2012-05-04 242779_eng.xml

Installation hint

These sensors are also suitable for mounting on metal. The stated switching distance is achieved with a metal base plate, min. dimensions 225 mm x 225 mm.

When mounted on a non-metallic base plate the switching distance is reduced by approx. 10%

