



### Model Number

**OMH-LS610-05**

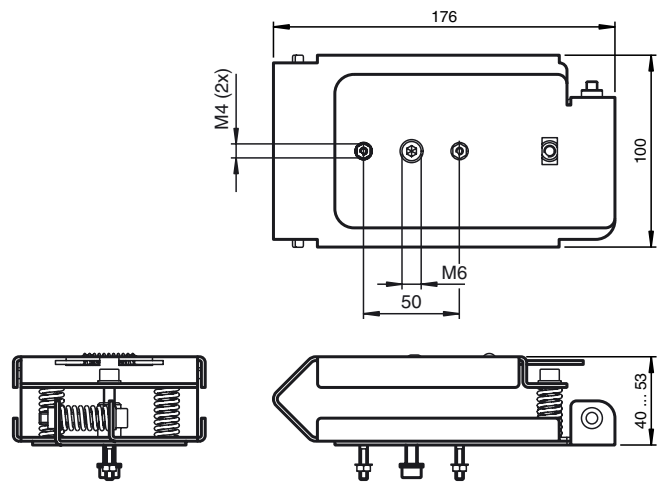
Mounting bracket for optical data coupler and distance measurement devices

### Features

- Fixing with latching spring or latch fastener for easy installation
- Simple and fast mounting

Quick clamp and adjustment system

### Dimensions



### Technical data

#### Mechanical specifications

Material	Zink plated steel , black
Mass	approx. 900 g

#### Suitable series

Series	LS610 LS611 VDM100
--------	--------------------------