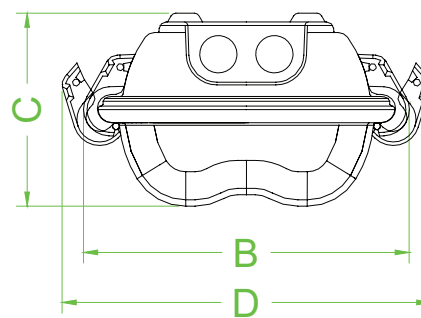
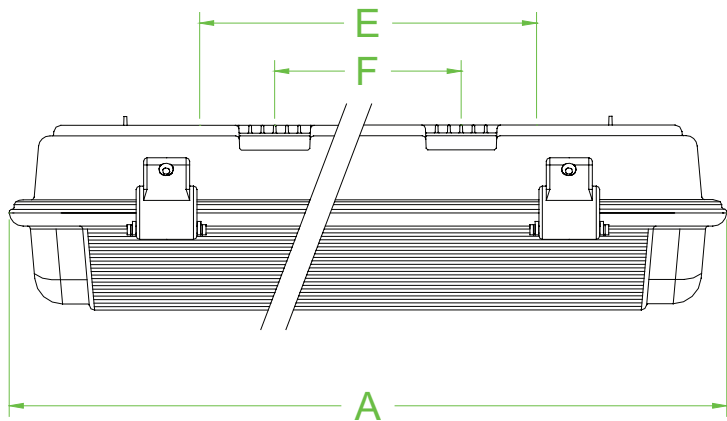




Dimensions (mm)



Features

- Power 2 x 18 W
- Installation in Zone 2 and Zone 22
- Electronic HF control gear
- Suitable for 220-240V AC 50/60Hz operation
- Multiple locking points on diffuser that can be hinged from both sides
- Fast opening and closing of fitting via snap shut fasteners
- Anti-glare diffuser cover
- Stainless steel surface mounting brackets supplied as standard

Technical data

Electrical specifications

| | |
|-------------------|--|
| Operating voltage | 220 ... 240 V 50Hz / 60Hz |
| Operating current | 0.18 A |
| Terminal capacity | 2.5 mm ² Connection block suitable for through wiring |
| Control gear | high frequency electronic ballast |
| Fitting type | Ceiling light fitting |
| Lamps | T26 bi-pin fluorescent tube |
| Number of lamps | 2 |
| Length | 600 mm (2 ft) |
| Power | 2 x 18 W |

Mechanical specifications

| | |
|-------------------------|---|
| Cover fixing | stainless steel snap shut fasteners |
| Protection degree | IP66 |
| Cable entry | |
| Number of cable entries | 4 x M20 2 at each end |
| Material | |
| Housing | Polycarbonate |
| Lamp cover | Polycarbonate |
| Reflector | 0.6 mm Mild steel |
| Finish | Body: as moulded reflector: epoxy powder coated, white |
| Seal | polyurethane foam |
| Mass | approx. 2.2 kg |
| Dimensions | |
| A | 685 mm |
| B | 173 mm |
| C | 110 mm |
| D | 230 mm |

| | |
|---|--|
| F | 340 mm |
| Mounting | 2 x stainless steel removable mounting brackets |
| Grounding | Internal connection |
| Ambient conditions | |
| Ambient temperature | -20 ... 40 °C (-4 ... 104 °F) |
| Data for application in connection with Ex-areas | |
| EC-Type Examination Certificate | FTZU 02 ATEX 0313X |
| Group, category, type of protection, temperature class | ⊕ II 3 GD Ex nA tD A II T5 T82°C |
| International approvals | |
| GOST-R approval | GOST-R B02432 |
| Conformity | |
| Protection degree | EN 60529 |
| General information | |
| Supplementary information | EC-Type Examination Certificate, Statement of Conformity, Declaration of Conformity, Attestation of Conformity and instructions have to be observed where applicable. For information see www.pepperl-fuchs.com . |
| Accessories | |
| Designation | 1 x nylon non-armoured Ex e cable gland 3 x nylon Ex e sealing plugs |