



### Model Number

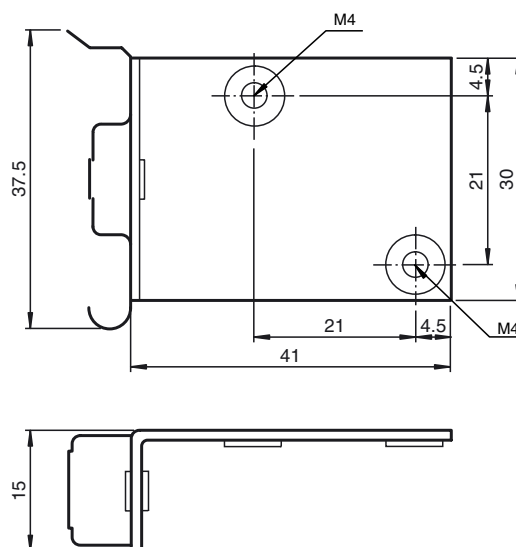
**OMH-ML300-02**

Bracket for mounting ML300 series sensors on a 35 mm DIN rail

### Features

- Mounting accessories for ML300 series sensors
- Quick and easy mounting on a DIN rail

### Dimensions



### Technical data

#### Mechanical specifications

Material	Zink plated steel
Mass	approx. 22 g
Mounting	Mounting accessories included

#### Suitable series

Series	ML300
--------	-------