



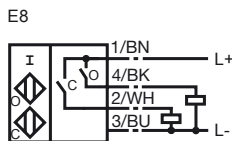
Model Number

NBN2-F583W-100S18-E8-V1

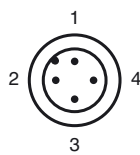
Features

- Extremely bright triple luminous band indication
- M12 plug with safety screw assembly adjustable in 45° grid
- For use in direct- and alternating-field welding systems
- Completely halogen and silicon free

Connection



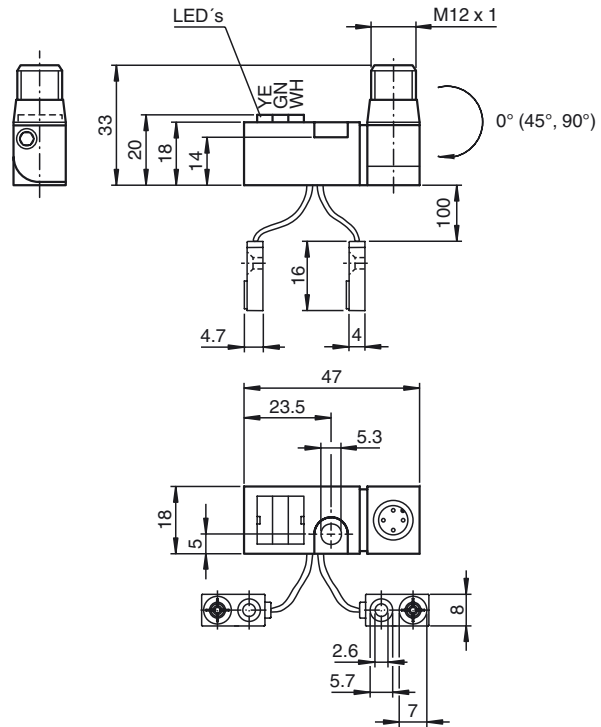
Pinout



Wire colors in accordance with EN 60947-5-2

1	BN	(brown)
2	WH	(white)
3	BU	(blue)
4	BK	(black)

Dimensions



Technical Data

General specifications			
Switching element function		PNP	Dual NO
Rated operating distance	s_n	2 mm	
Installation		non-flush	
Output polarity		switched high	
Assured operating distance	s_a	0 ... 1.62 mm	
Reduction factor r_{AI}		0.45	
Reduction factor r_{Cu}		0.35	
Reduction factor r_{304}		0.75	
Nominal ratings			
Operating voltage	U_B	10 ... 30 V	
Switching frequency	f	0 ... 100 Hz	
Reverse polarity protected		reverse polarity protected	
Short-circuit protection		pulsing	
Voltage drop	U_d	≤ 3 V	
Rated insulation voltage	U_{BIS}	60 V	
Operating current	I_L	0 ... 100 mA	
No-load supply current	I_0	≤ 15 mA	
Constant magnetic field	B	100 mT	
Alternating magnetic field	B	100 mT	
Tuning-out		typically 1 s	
Operating voltage display		LED green	
Indication of the switching state		switching state "close" = LED white switching state "open" = LED yellow	
Functional safety related parameters			
MTTF _d		1620 a	
Mission Time (T_M)		20 a	
Diagnostic Coverage (DC)		0 %	
Ambient conditions			
Ambient temperature		0 ... 50 °C (32 ... 122 °F)	
Storage temperature		-40 ... 85 °C (-40 ... 185 °F)	
Mechanical specifications			
Connection type		Device connector M12 x 1, 4-pin	
Flexible lead, housing-sensor		PUR (halogen-free); Outlet position - 3	
Housing material		amplifier; PBT, PA6 + GD-ZN AL4 oscillators; PBT	
Protection degree		IP65	
Protection class		II	
Compliance with standards and directives			
Standard conformity		EN 60947-5-2:2007 IEC 60947-5-2:2007	
Approvals and certificates			
UL approval		cULus Listed, General Purpose	
CSA approval		cCSAus Listed, General Purpose	
CCC approval		Products with a maximum operating voltage of ≤ 36 V do not bear a CCC marking because they do not require approval.	

Release date: 2012-05-16 10:45 Date of issue: 2012-05-16 235160_eng.xml

Safety instructions

Laws and/or regulations and standards governing the use or intended usage goal must be observed.

No changes can be made to the device. Repairs are not possible.

Protection class II (protective isolation) is only reached under the stated mounting conditions.

Mechanical protection of the oscillator leads:

The leads must be laid such that they are protected from damage due to external mechanical effects.

Special care must be taken when installing the devices to ensure that they do not become damaged in any way.

Release date: 2012-05-16 10:45 Date of issue: 2012-05-16 235160_eng.xml