



Model Number

IQC33-50F-T10

Data carrier

Features

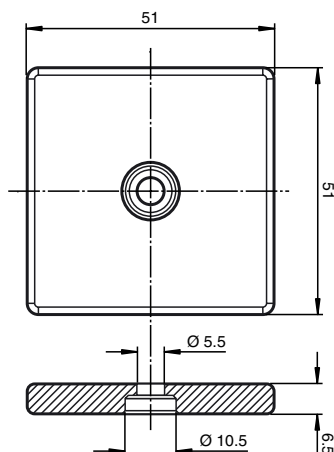
- Operating frequency 13.56 MHz
- Conforms to ISO 15693
- 16 kbit memory available
- Readable and writable from both sides
- Protection degree IP68
- With extended temperature range up to 240 °C (464 °F)
- Mounting holes for simple installation

Accessories

ICZ-MH30-25-T10

Spacers for code/data carrier

Dimensions



Technical data

General specifications

Operating frequency	13.56 MHz
Transfer rate	26 kBit/s

Memory

Chip Type	FRAM MB89R118 (Fujitsu)
Type/Size	FRAM 16 kBit ROM 64 Bit
Read cycles	unlimited
Write cycles	> 10 ¹⁰
Data retention period	10 years at 55 °C (131 °F)

Ambient conditions

Ambient temperature	-40 ... 85 °C (-40 ... 185 °F)
Storage temperature	-40 ... 240 °C (-40 ... 464 °F)
Climatic conditions	100 % non-condensing

Mechanical specifications

Protection degree	IP68/NEMA 6P/12
Material	
Housing	PPS
Mass	25.7 g

Compliance with standards and directives

Standard conformity	
Protection degree	EN 60529:2000
RFID	ISO/IEC 15693-1:2010 , ISO/IEC 15693-2:2006 , ISO/IEC 15693-3:2009 , ISO/IEC 18000-3

Notes

The transponder can be read and written from either side.

Notes

High temperatures will cause the enclosure to stretch.

If the enclosure is assembled under mechanical stress, the resulting pressure may damage the data carrier.

Install the enclosure loosely to allow for expansion.