



### Model Number

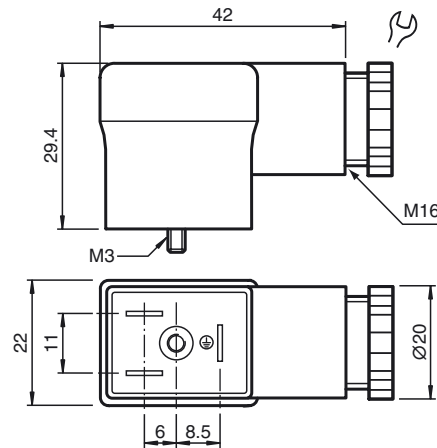
**VMBI-2+PE/D1-Y234046**

Valve connector Form B (Ind), non pre-wired

### Features

- Free-wheeling diode
- Pre-assembled
- Individually packaged
- With wiring diagram imprint

### Dimensions



### Technical data

#### General specifications

Number of pins	2 + PE
Connection 1	Valve connector industrial version
Construction type 1	right angle

#### Indicators/operating means

LED red	Operating display
---------	-------------------

#### Electrical specifications

Operating voltage	$U_B$	10 ... 50 V DC
Operating current		max. 10 A
Volume resistance		< 10 m $\Omega$

#### Ambient conditions

Ambient temperature	-40 ... 70 °C (-40 ... 158 °F)
---------------------	--------------------------------

#### Mechanical specifications

Protection degree	IP65
Connection	Valve connector Form B screw terminals for max. 1.5 mm <sup>2</sup> M16 cable gland

Material	
Contacts	CuZn ; CuSn
Body	PA
Cable	
Sheath diameter	6 ... 8 mm

#### General information

Scope of delivery	Contains seal and screw
-------------------	-------------------------

### Electrical connection

