



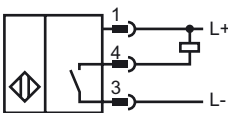
Model Number

NEN40-30GM60-E0-V1

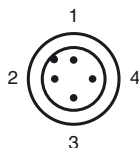
Features

- 40 mm not embeddable
- Increased operating distance

Connection



Pinout



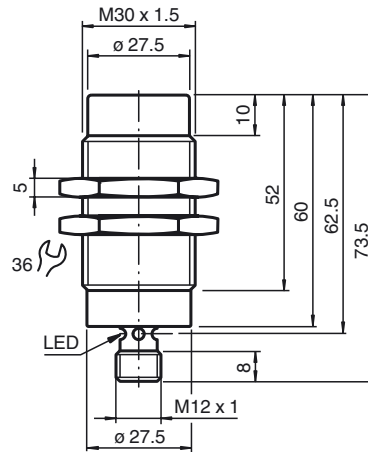
Wire colors in accordance with EN 60947-5-2

1	BN	(brown)
2	WH	(white)
3	BU	(blue)
4	BK	(black)

Accessories

- BF 30**
Mounting flange, 30 mm
- V1-G**
4-pin, M12 female field-attachable connector
- V1-W**
4-pin, M12 female field-attachable connector
- V1-G-2M-PUR**
Cable socket, M12, 4-pin, PUR cable
- V1-W-2M-PUR**
Cable socket, M12, 4-pin, PUR cable

Dimensions



Technical Data

General specifications

Switching element function	NPN	NO
Rated operating distance	s_n	40 mm
Installation		not embeddable
Output polarity		DC
Assured operating distance	s_a	0 ... 32.4 mm
Reduction factor r_{AI}		0.42
Reduction factor r_{Cu}		0.37
Reduction factor r_{303}		0.78

Nominal ratings

Installation conditions	
A	in aluminium: 25 mm in steel 1.0037 (St37): 35 mm in brass 25 mm in stainless steel 20 mm
B	55 mm
C	120 mm
F	150 mm
Operating voltage	U_B 10 ... 30 V
Switching frequency	f 0 ... 100 Hz
Hysteresis	H ≤ 10 %
Reverse polarity protected	reverse polarity protected
Short-circuit protection	pulsing
Voltage drop	U_d ≤ 2 V
Operating current	I_L 0 ... 200 mA
Off-state current	I_r 0 ... 0.1 mA typ. 0.1 µA at 25 °C
No-load supply current	I_0 ≤ 10 mA
Indication of the switching state	LED, yellow

Functional safety related parameters

MTTF _d	211 a
Mission Time (T _M)	20 a
Diagnostic Coverage (DC)	0 %

Ambient conditions

Ambient temperature	-25 ... 70 °C (-13 ... 158 °F)
---------------------	--------------------------------

Mechanical specifications

Connection type	Device connector M12 x 1, 4-pin
Housing material	chromium plated brass
Sensing face	PBT
Protection degree	IP67

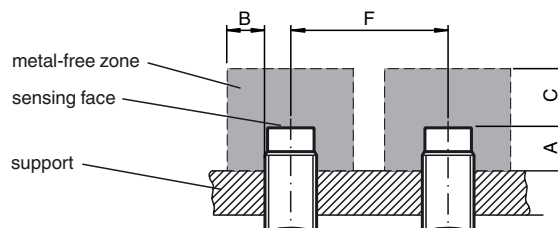
Compliance with standards and directives

Standard conformity	
Standards	EN 60947-5-2:2007 IEC 60947-5-2:2007

Approvals and certificates

CCC approval	Products with a maximum operating voltage of ≤36 V do not bear a CCC marking because they do not require approval.
--------------	--

Installation conditions



Release date: 2011-07-14 10:59 Date of issue: 2011-07-14 23:577_eng.xml