



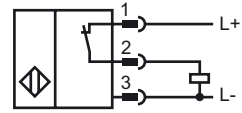
**Model Number**

NEB22-30GM60-E3-V1

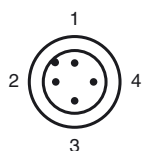
**Features**

- 22 mm quasi-embeddable
- Increased operating distance

**Connection**



**Pinout**



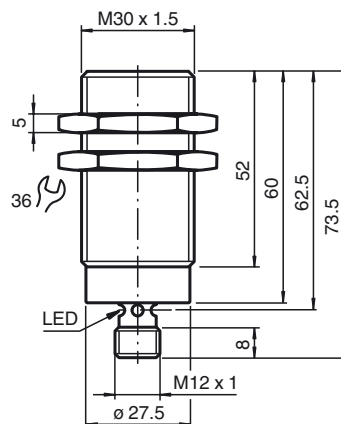
Wire colors in accordance with EN 60947-5-2

1	BN	(brown)
2	WH	(white)
3	BU	(blue)
4	BK	(black)

**Accessories**

- BF 30**  
Mounting flange, 30 mm
- V1-G**  
4-pin, M12 female field-attachable connector
- V1-W**  
4-pin, M12 female field-attachable connector
- V1-G-2M-PUR**  
Cable socket, M12, 4-pin, PUR cable
- V1-W-2M-PUR**  
Cable socket, M12, 4-pin, PUR cable

**Dimensions**



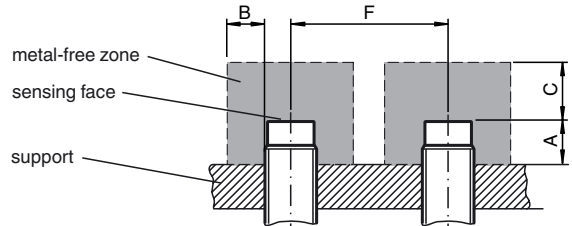
**Technical Data**

General specifications	
Switching element function	PNP NC
Rated operating distance	$s_n$ 22 mm
Installation	quasi embedd.
Output polarity	DC
Assured operating distance	$s_a$ 0 ... 17.8 mm
Reduction factor $r_{AI}$	0.25
Reduction factor $r_{Cu}$	0.22
Reduction factor $r_{303}$	0.65
Nominal ratings	
Installation conditions	
A	6 mm
B	37 mm
C	66 mm
F	80 mm
Operating voltage	$U_B$ 10 ... 30 V
Switching frequency	f 0 ... 150 Hz
Hysteresis	H $\leq 10\%$
Reverse polarity protected	reverse polarity protected
Short-circuit protection	pulsing
Voltage drop	$U_d$ $\leq 5$ V
Operating current	$I_L$ 0 ... 200 mA
Off-state current	$I_r$ $\leq 0.1$ mA
No-load supply current	$I_0$ $\leq 10$ mA
Indication of the switching state	Multihole-LED, yellow
Functional safety related parameters	
MTTF <sub>d</sub>	213 a
Mission Time ( $T_M$ )	20 a
Diagnostic Coverage (DC)	0 %
Ambient conditions	
Ambient temperature	-25 ... 70 °C (-13 ... 158 °F)
Mechanical specifications	
Connection type	Device connector M12 x 1, 4-pin
Housing material	chromium plated brass
Sensing face	PBT
Protection degree	IP67
Compliance with standards and directives	
Standard conformity	
Standards	EN 60947-5-2:2007 IEC 60947-5-2:2007

**Approvals and certificates**

CCC approval Products with a maximum operating voltage of  $\leq 36$  V do not bear a CCC marking because they do not require approval.

**Installation conditions**



Release date: 2011-07-14 10:58 Date of issue: 2011-07-14 23:572\_eng.xml