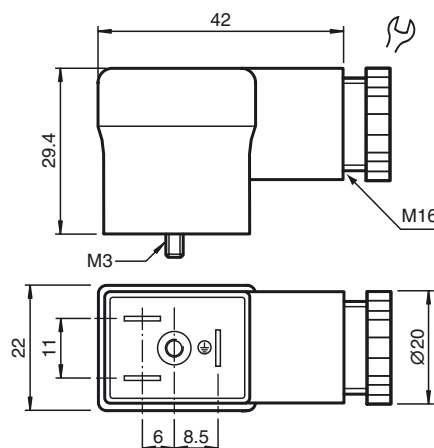




## Dimensions



## Model Number

**VMBI-2+PE-Y226533**

Valve connector Form B (Ind), non pre-wired

## Features

- Pre-assembled
- Individually packaged
- With wiring diagram imprint

## Technical data

### General specifications

Number of pins	2 + PE
Connection 1	Valve connector industrial version
Construction type 1	right angle

### Electrical specifications

Operating voltage	$U_B$	1 ... 250 V AC/DC
Operating current		max. 10 A
Volume resistance		< 10 m $\Omega$

### Ambient conditions

Ambient temperature	-40 ... 125 °C (-40 ... 257 °F)
---------------------	---------------------------------

### Mechanical specifications

Protection degree	IP65
Connection	Valve connector Form B screw terminals for max. 1.5 mm <sup>2</sup> M16 cable gland

### Material

Contacts	CuZn ; CuSn
Body	PA
Cable	
Sheath diameter	6 ... 8 mm

### General information

Scope of delivery	Contains seal and screw
-------------------	-------------------------

## Electrical connection

