

Model Number

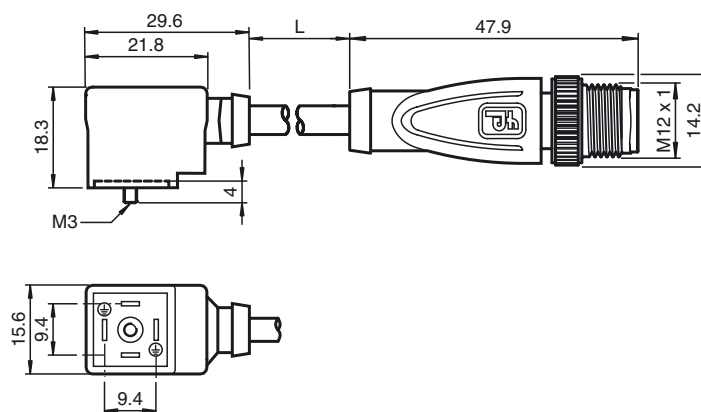
VMCI-2+P/Z2-0,6M-PUR-V1-G

Valve connector, Form C (Ind) on M12, 2+PE, LED, Z-Diode, PUR cable

Features

- Z diode as a protective circuit
- Moulded seal
- freely selectable cable models due to bridged protective earth

Dimensions



Technical data

General specifications

Number of pins	2 + PE
Connection 1	Valve connector industrial version
Construction type 1	right angle
Connection 2	Male connector
Construction type 2	right angle
Threading 2	M12

Indicators/operating means

LED yellow	Functional display
------------	--------------------

Electrical specifications

Operating voltage	U_B	24 V AC/DC
Test voltage		2000 V
Operating current		max. 4 A
Volume resistance		< 10 m Ω

Ambient conditions

Ambient temperature	Body -40 ... 80 °C (-40 ... 176 °F) cable -25 ... 80 °C (-13 ... 176 °F)
---------------------	---

Mechanical specifications

Pin diameter	1 mm
Protection degree	IP67
Material	
Contacts	CuZn ; CuSn / Au
Contact surface	CuSn ; Au
Body	Valve connector PUR, transparent Male connector TPU, green
Cable	PUR
Sleeve connector	Diecast zinc
Core insulation	PVC
Cable	
Sheath diameter	\varnothing 5.7 mm
Bending radius	> 10 x cable diameter, appropriate for conveyor chains
Color	black
Cores	(2 + 1) x 0.5 mm ²
Conductor construction	16 x 0.2 mm \varnothing
Length	L 0.6 m

Electrical connection

