



### Model Number

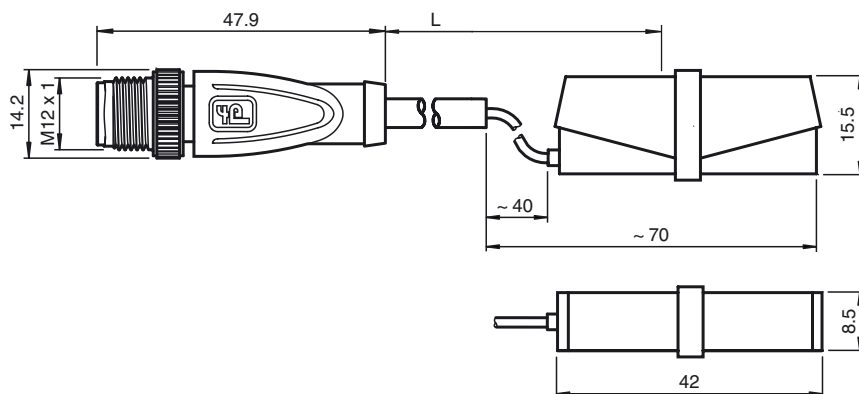
#### V15S-G-0,3M-PUR-WAGO

Male cordset, M12, 5-pin, PUR cable with WAGO terminals

### Features

- Immunity to vibration, with mechanical latching
- Knurled nut suitable for tool assembly
- Gold-plated and machined contacts
- Halogen-free

### Dimensions



### Technical data

#### General specifications

Number of pins	5
Connection 1	Male connector
Construction type 1	straight
Threading 1	M12

#### Electrical specifications

Operating voltage	$U_B$	max. 60 V DC
Test voltage		> 1500 V <sub>eff</sub> AC
Operating current		max. 4 A
Volume resistance		< 5 mΩ

#### Ambient conditions

Ambient temperature	-40 ... 90 °C (-40 ... 194 °F) cable, fixed: -40 ... 80 °C (-40 ... 176 °F) cable, flexing: -20 ... 80 °C (-4 ... 176 °F)
Pollution Degree	3

#### Mechanical specifications

Pin diameter	1 mm
Protection degree	IP20
Connection	WAGO terminal
Material	
Contacts	CuSn / Au
Contact surface	Au
Body	TPU, green
Cable	PUR
Sleeve connector	Diecast zinc
Core insulation	PP
Cable	
Sheath diameter	Ø4.8 mm
Bending radius	> 10 x cable diameter, moving
Color	grey
Cores	5 x 0.34 mm <sup>2</sup>
Conductor construction	19 x 0.15 mm Ø
Length	L 0.3 m
Flammability	
Contact material	94 HB
Housing	94 V-2

### Electrical connection

