

Features

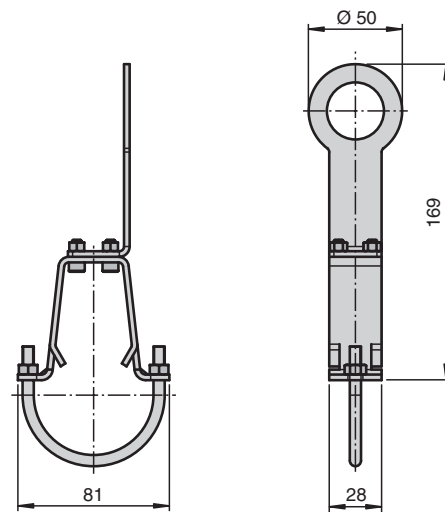
- Accessory for WirelessHART Adapter
- Allows mounting on panels and vertical or horizontal poles
- Pole diameter up to 7cm

Function

This mounting set allows to mount the WirelessHART Adapter WHA-ADP-F8B2-* to a pole or a wall. Through the modular construction, the pole can be horizontal or vertical.

The dimensions are optimized to bring the antenna of WirelessHART Adapter far away from the wall or the pole in order to minimize interference of radio communication.

Dimensions



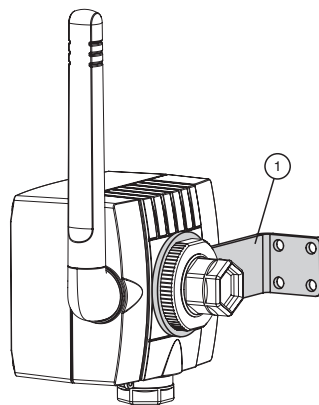
Technical data

Mechanical specifications

| | |
|------------|--|
| Material | metal |
| Mass | approx. 200 g |
| Dimensions | 81 x 214 x 50 mm (3.2 x 8.4 x 1.97 in) |
| Mounting | panel or pole mounting |

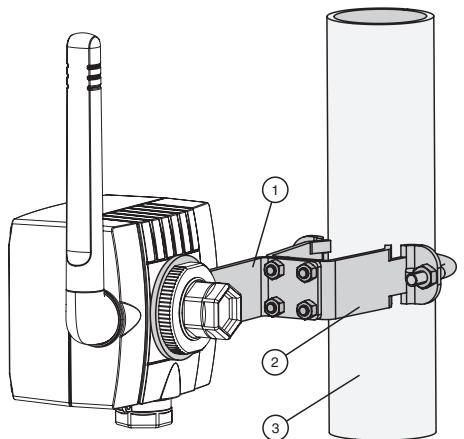
Assembly

Panel mounting



1 Mounting angle

Pole mounting



1 Mounting angle
2 Mounting bracket
3 Pole or pipe