



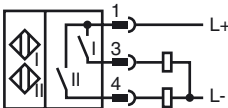
Model Number

NBN3-F31-Z8-0,3M-V1-Y222967

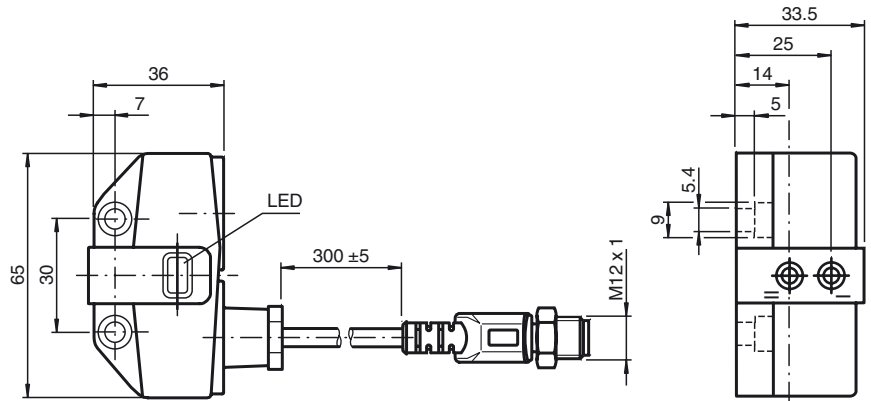
Features

- Direct mounting on standard actuators
- Compact and stable housing
- Fixed setting
- Satisfies machinery directive

Connection



Dimensions



Technical Data

General specifications

Switching element function	PNP	Dual NO
Rated operating distance	s_n	3 mm
Installation		flush mountable
Output polarity		DC
Assured operating distance	s_a	0 ... 2.43 mm
Reduction factor r_{A1}		0.5
Reduction factor r_{Cu}		0.4
Reduction factor r_{303}		1
Reduction factor r_{Si37}		1.1

Nominal ratings

Operating voltage	U_B	6 ... 30 V
Switching frequency	f	0 ... 500 Hz
Hysteresis	H	typ. 5 %
Reverse polarity protected		tolerant
Short-circuit protection		no
Voltage drop	U_d	≤ 6 V
Operating current	I_L	4 ... 100 mA
Lowest operating current	I_m	4 mA
Off-state current	I_r	0 ... 1 mA typ. 0.7 mA
Indication of the switching state		LED, yellow

Limit data

Tightening torque, fastening screws	0.4 Nm
-------------------------------------	--------

Ambient conditions

Ambient temperature	-25 ... 70 °C (-13 ... 158 °F)
---------------------	--------------------------------

Mechanical specifications

Connection (system side)	0.3 m PVC cable
Core cross-section (system side)	0.34 mm ²
Housing material	PBT
Sensing face	PBT
Protection degree	IP67

Compliance with standards and directives

Standard conformity	
Standards	EN 60947-5-2:2007 IEC 60947-5-2:2007

Approvals and certificates

UL approval	cULus Listed, General Purpose
CSA approval	cCSAus Listed, General Purpose