

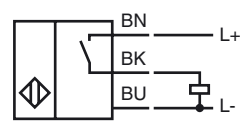
**Model Number**

NJ10-30GK50-E2-Y222509

**Features**

- 3-wire DC
- 10 mm flush

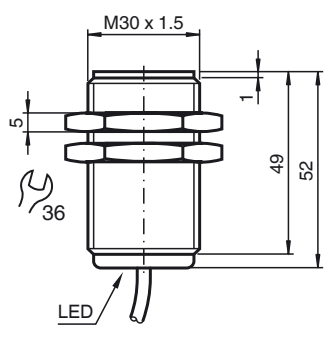
**Connection**



**Accessories**

**BF 30**  
Mounting flange, 30 mm

**Dimensions**



**Technical Data**

**General specifications**

Switching element function	PNP	NO
Rated operating distance	$s_n$	10 mm
Installation		flush
Output polarity		DC
Assured operating distance	$s_a$	0 ... 8.1 mm
Reduction factor $r_{Al}$		0.22
Reduction factor $r_{Cu}$		0.19
Reduction factor $r_{304}$		0.66
Reduction factor $r_{Brass}$		0.33

**Nominal ratings**

Operating voltage	$U_B$	10 ... 60 V
Switching frequency	$f$	0 ... 700 Hz
Hysteresis	$H$	typ. 5 %
Reverse polarity protection		reverse polarity protected
Short-circuit protection		pulsing
Voltage drop	$U_d$	$\leq 2.8$ V
Operating current	$I_L$	0 ... 400 mA
Off-state current	$I_r$	0 ... 0.5 mA typ. 0.01 mA
No-load supply current	$I_0$	$\leq 9$ mA
Indication of the switching state		LED, yellow

**Functional safety related parameters**

MTTF <sub>d</sub>	1370 a
Mission Time (T <sub>M</sub> )	20 a
Diagnostic Coverage (DC)	0 %

**Ambient conditions**

Ambient temperature	-40 ... 70 °C (-40 ... 158 °F)
Storage temperature	-40 ... 85 °C (-40 ... 185 °F)

**Mechanical specifications**

Connection type	cable silicon , 2.9 m
Core cross-section	0.75 mm <sup>2</sup>
Housing material	PBT
Sensing face	PBT
Protection degree	IP68
Note	stainless steel nuts included

**Compliance with standards and directives**

Standard conformity	
Standards	EN 60947-5-2:2007 IEC 60947-5-2:2007

**Approvals and certificates**

UL approval	cULus Listed, General Purpose
CCC approval	Certified by China Compulsory Certification (CCC)

Release date: 2013-01-08 12:07 Date of issue: 2013-01-08 222509\_eng.xml