



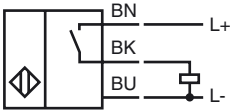
Model Number

NMB10-18GH50-E2-FB

Features

- 10 mm flush
- Stainless steel sensing face
- Increased operating distance

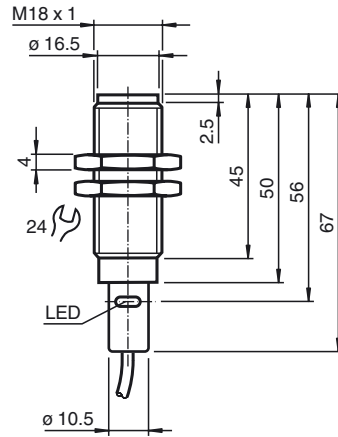
Connection



Accessories

BF 18
Mounting flange, 18 mm

Dimensions



Technical Data

General specifications

Switching element function	PNP	NO
Rated operating distance	s_n	10 mm
Installation		flush
Output polarity		DC
Assured operating distance	s_a	0 ... 8.1 mm
Reduction factor r_{Al}		0.4
Reduction factor r_{Cu}		0.25
Reduction factor r_{304}		0.85
Reduction factor r_{S137}		1

Nominal ratings

Operating voltage	U_B	10 ... 30 V DC
Switching frequency	f	0 ... 240 Hz
Hysteresis	H	3 ... 15 typ. 10 %
Reverse polarity protected		reverse polarity protected
Short-circuit protection		pulsing
Voltage drop	U_d	≤ 2 V
Operating current	I_L	0 ... 150 mA
Off-state current	I_r	10 μ A
No-load supply current	I_0	≤ 10 mA
Indication of the switching state		LED, yellow

Functional safety related parameters

MTTF _d	645 a
Mission Time (T_M)	20 a
Diagnostic Coverage (DC)	0 %

Ambient conditions

Ambient temperature	-25 ... 85 °C (-13 ... 185 °F)
---------------------	--------------------------------

Mechanical specifications

Connection type	cable PVC , 2 m
Core cross-section	3 x 0.34 mm ²
Housing material	Stainless steel 1.4404 / AISI 316L
Sensing face	Stainless steel 1.4404 / AISI 316L
Protection degree	IP67 / IP68 / IP69k

General information

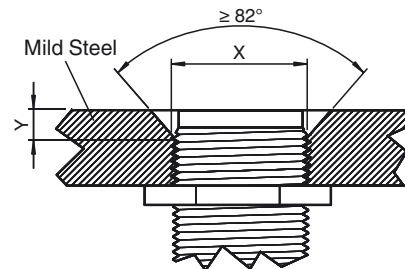
Supplementary information	I_L max. 200 mA @ $T \leq 50$ °C/122 °F
Assembly dimensions	x: 18 mm y: ≥ 4 mm

Compliance with standards and directives

Standard conformity	
Standards	EN 60947-5-2:2007 IEC 60947-5-2:2007

Approvals and certificates

CCC approval	Products with a maximum operating voltage of ≤ 36 V do not bear a CCC marking because they do not require approval.
--------------	--



Sensor face is flush with mounting surface.

Release date: 2012-06-27 13:22 Date of issue: 2012-06-27 2:19687_eng.xml