



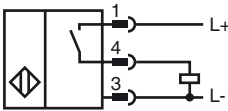
**Model Number**

NMB10-18GH50-E2-V1-FB

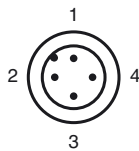
**Features**

- 10 mm flush
- Stainless steel sensing face
- Increased operating distance

**Connection**



**Pinout**



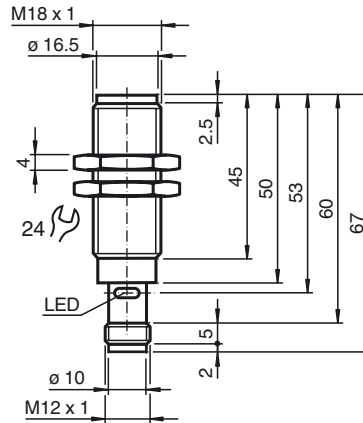
Wire colors in accordance with EN 60947-5-2

1	BN	(brown)
2	WH	(white)
3	BU	(blue)
4	BK	(black)

**Accessories**

- BF 18**  
Mounting flange, 18 mm
- V1-W-2M-PVC**  
Cable socket, M12, 4-pin, PVC cable
- V1-G-2M-PVC**  
Cable socket, M12, 4-pin, PVC cable

**Dimensions**



**Technical Data**

**General specifications**

Switching element function	PNP	NO
Rated operating distance	$s_n$	10 mm
Installation		flush
Output polarity		DC
Assured operating distance	$s_a$	0 ... 8.1 mm
Reduction factor $r_{Al}$		0.4
Reduction factor $r_{Cu}$		0.25
Reduction factor $r_{304}$		0.85
Reduction factor $r_{S137}$		1

**Nominal ratings**

Operating voltage	$U_B$	10 ... 30 V DC
Switching frequency	$f$	0 ... 240 Hz
Hysteresis	$H$	3 ... 15 typ. 10 %
Reverse polarity protected		reverse polarity protected
Short-circuit protection		pulsing
Voltage drop	$U_d$	$\leq 2$ V
Operating current	$I_L$	0 ... 150 mA
Off-state current	$I_r$	10 $\mu$ A
No-load supply current	$I_0$	$\leq 10$ mA
Indication of the switching state		LED, yellow

**Functional safety related parameters**

MTTF <sub>d</sub>	645 a
Mission Time ( $T_M$ )	20 a
Diagnostic Coverage (DC)	0 %

**Ambient conditions**

Ambient temperature	-25 ... 85 °C (-13 ... 185 °F)
---------------------	--------------------------------

**Mechanical specifications**

Connection type	Device connector M12 x 1, 4-pin
Housing material	Stainless steel 1.4404 / AISI 316L
Sensing face	Stainless steel 1.4404 / AISI 316L
Protection degree	IP67 / IP68 / IP69k

**General information**

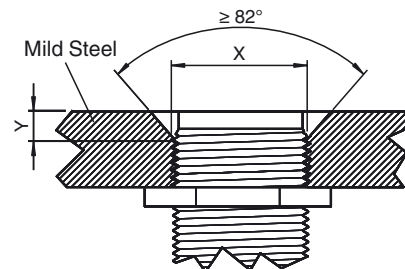
Supplementary information	$I_L$ max. 200 mA @ $T \leq 50$ °C/122 °F
Assembly dimensions	x: 18 mm y: $\geq 4$ mm

**Compliance with standards and directives**

Standard conformity	
Standards	EN 60947-5-2:2007 IEC 60947-5-2:2007

**Approvals and certificates**

CCC approval	Products with a maximum operating voltage of $\leq 36$ V do not bear a CCC marking because they do not require approval.
--------------	--



Sensor face is flush with mounting surface.

Release date: 2012-06-27 13:22 Date of issue: 2012-06-27 2:19686\_eng.xml