



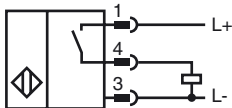
Model Number

NMB5-12GH50-E2-V1-FB

Features

- **Stainless steel sensing face**
- **Sensing range 5 mm**
- **3-wire DC**
- **Increased operating distance**

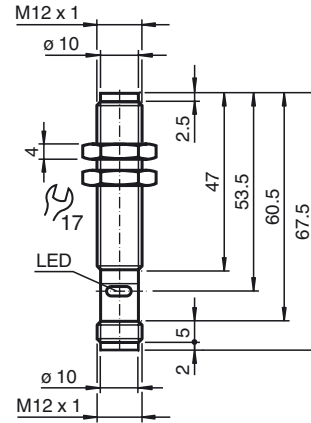
Connection



Accessories

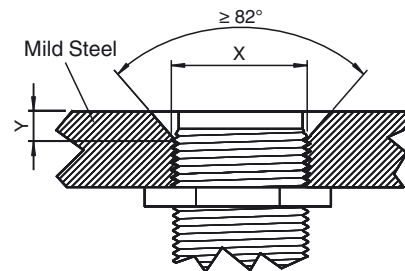
- V1-W-2M-PVC**
Cable socket, M12, 4-pin, PVC cable
- V1-G-2M-PVC**
Cable socket, M12, 4-pin, PVC cable

Dimensions



Technical Data

General specifications		
Switching element function		PNP, NO
Rated operating distance	s_n	5 mm
Installation		flush
Output polarity		DC
Assured operating distance	s_a	0 ... 4.05 mm
Reduction factor r_{Al}		0.3
Reduction factor r_{Cu}		0.2
Reduction factor r_{304}		0.85
Reduction factor r_{317}		1
Nominal ratings		
Operating voltage	U_B	10 ... 30 V
Switching frequency	f	360 Hz
Hysteresis	H	3 ... 15 typ. 10 %
Reverse polarity protected		yes
Short-circuit protection		yes
Voltage drop	U_d	≤ 2 V
Operating current	I_L	0 ... 150 mA
Off-state current	I_r	0 ... 10 μ A
No-load supply current	I_0	≤ 10 mA
Indication of the switching state		LED, yellow
Functional safety related parameters		
MTTF _d		645 a
Mission Time (T_M)		20 a
Diagnostic Coverage (DC)		0 %
Ambient conditions		
Ambient temperature		-25 ... 85 °C (-13 ... 185 °F)
Mechanical specifications		
Connection type		Device connector M12 x 1 , 4-pin
Housing material		Stainless steel 1.4404 / AISI 316L
Sensing face		Stainless steel 1.4404 / AISI 316L
Protection degree		IP67 / IP68 / IP69K - cordset dependent
General information		
Supplementary information		I_L max. 200 mA @ $T \leq 50$ °C/122 °F
Assembly dimensions		x: 12 mm y: ≥ 2 mm
Compliance with standards and directives		
Standard conformity		
Standards		EN 60947-5-2:2007 IEC 60947-5-2:2007
Approvals and certificates		
CCC approval		Products with a maximum operating voltage of ≤ 36 V do not bear a CCC marking because they do not require approval.



Sensor face is flush with mounting surface.

Release date: 2012-06-27 12:03 Date of issue: 2012-06-27 219684_eng.xml