



**Model Number**

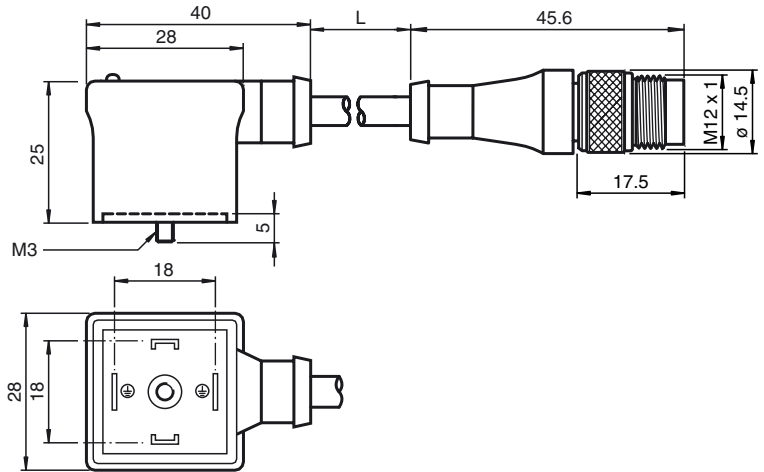
**VMA-2+P/S2-BK0,6M-PUR-U-V1-G**

Valve connector, Form A on M12, 2+PE, LED, suppressor diode, PUR cable

**Features**

- Valve connector according EN 175301-803 A/ISO 4400 (previously DIN 43650)
- Moulded seal
- freely selectable cable models due to bridged protective earth
- Halogen-free
- Cable with UR/CSA approval

**Dimensions**



**Technical data**

**General specifications**

Number of pins	2 + PE
Connection 1	Valve connector DIN
Construction type 1	right angle
Connection 2	Male connector
Construction type 2	straight
Threading 2	M12

**Indicators/operating means**

LED yellow	Functional display
------------	--------------------

**Electrical specifications**

Operating voltage	$U_B$	24 V AC/DC
Test voltage		2000 V
Operating current		max. 4 A
Volume resistance		< 10 mΩ

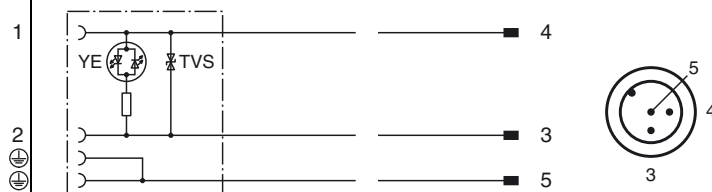
**Ambient conditions**

Ambient temperature	-25 ... 80 °C (-13 ... 176 °F)
Pollution Degree	3

**Mechanical specifications**

Protection degree	IP67	
Connection	Valve connector Form A	
Material		
Contacts	CuZn ; CuSn	
Body	PUR	
Cable	PUR	
Core insulation	PP9Y	
Cable	fine-strand, flexible	
Sheath diameter	Ø 5.1 mm	
Bending radius	> 10 x cable diameter, appropriate for conveyor chains	
Color	black	
Cores	(2 + 1) x 0.5 mm <sup>2</sup>	
Conductor construction	28 x 0.15 mm Ø	
Length	L	0.6 m
Flammability	UL 94	

**Electrical connection**



Release date: 2012-01-18 10:13 Date of issue: 2012-01-18 218940\_eng.xml

Subject to modifications without notice

Pepperl+Fuchs Group  
www.pepperl-fuchs.com

USA: +1 330 486 0001  
fa-info@us.pepperl-fuchs.com

Germany: +49 621 776-4411  
fa-info@pepperl-fuchs.com

Copyright Pepperl+Fuchs  
Singapore: +65 6779 9091  
fa-info@sg.pepperl-fuchs.com