



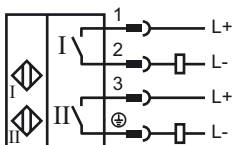
Model Number

NBN3-F31-Z8-V164-Y218849

Features

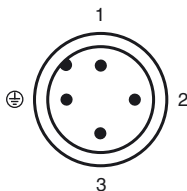
- Direct mounting on standard actuators
- Compact and stable housing
- Fixed setting
- Satisfies machinery directive

Connection

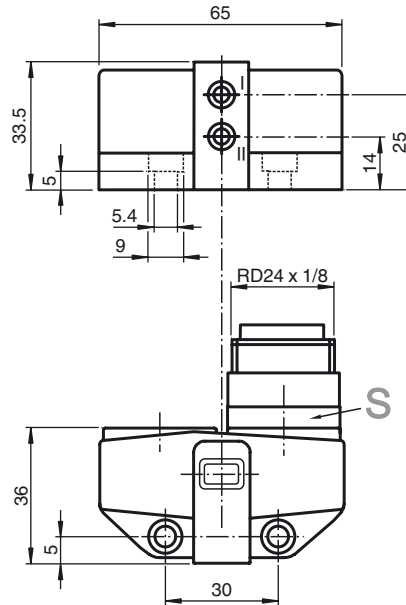


⚠ Connector pin ⊕ is used for sensor connection and must not be connected to earth potential.

Pinout



Dimensions



Technical Data

General specifications

Switching element function		Dual (NO)
Rated operating distance	s_n	3 mm
Installation		flush mountable
Output polarity		DC
Assured operating distance	s_a	0 ... 2.43 mm
Reduction factor r_{A1}		0.5
Reduction factor r_{Cu}		0.4
Reduction factor r_{V2A}		1
Reduction factor r_{S137}		1.1

Nominal ratings

Operating voltage	U_B	6 ... 60 V
Switching frequency	f	0 ... 500 Hz
Hysteresis	H	typ. 5 %
Reverse polarity protected		tolerant
Short-circuit protection		no
Voltage drop	U_d	≤ 6 V
Operating current	I_L	4 ... 100 mA
Off-state current	I_r	0 ... 1 mA typ. 0.7 mA
Indication of the switching state		LED, yellow

Limit data

Tightening torque, fastening screws		0.4 Nm
-------------------------------------	--	--------

Ambient conditions

Ambient temperature		-25 ... 70 °C (-13 ... 158 °F)
---------------------	--	--------------------------------

Mechanical specifications

Connection type		Device connector Rd24 x 1/8 , 4-pin
Housing material		PBT
Sensing face		PBT
Protection degree		IP67

Compliance with standards and directives

Standard conformity		
Standards		EN 60947-5-2:2007 IEC 60947-5-2:2007

Release date: 2010-06-28 16:51 Date of issue: 2010-06-28 2:18849_ENG.xml