



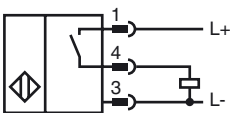
Model Number

NBB4-F1-E2-V3-Y218699

Features

- Basic series
- 4 mm flush

Connection



Pinout



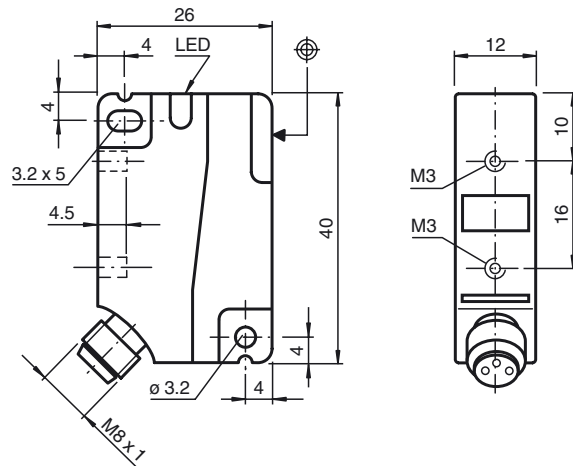
Wire colors in accordance with EN 60947-5-2

1	BN	(brown)
3	BU	(blue)
4	BK	(black)

Accessories

- V3-WM**
Female connector, M8, 3-pin, field attachable
- V3-WM-2M-PUR**
Cable socket, M8, 3-pin, PUR cable
- V3-GM-2M-PUR**
Cable socket, M8, 3-pin, PUR cable
- V3-GM**
Female connector, M8, 3-pin, field attachable

Dimensions



Technical Data

General specifications			
Switching element function		PNP	NO
Rated operating distance	s_n	4 mm	
Installation		flush	
Output polarity		DC	
Assured operating distance	s_a	0 ... 3.24 mm	
Reduction factor r_{Al}		0.4	
Reduction factor r_{Cu}		0.45	
Reduction factor r_{304}		0.8	
Reduction factor r_{Brass}		0.55	
Nominal ratings			
Operating voltage	U_B	10 ... 30 V	
Switching frequency	f	0 ... 1400 Hz	
Hysteresis	H	typ. 5%	
Reverse polarity protected		reverse polarity protected	
Short-circuit protection		pulsing	
Voltage drop	U_d	≤ 2.5 V	
Rated insulation voltage	U_{BIS}	60 V	
Operating current	I_L	0 ... 250 mA	
Off-state current	I_r	0 ... 0.01 mA typ. 0.1 μ A at 25 °C	
No-load supply current	I_0	≤ 15 mA	
Indication of the switching state		LED, yellow	
Ambient conditions			
Ambient temperature		-25 ... 70 °C (-13 ... 158 °F)	
Mechanical specifications			
Connection type		M8 x 1 connector, 3-pin	
Housing material		PA	
Sensing face		PA	
Protection degree		IP67	
Tightening torque, fastening screws		Threading M3 max: 1.1 Nm	
Compliance with standards and directives			
Standard conformity		EN 60947-5-2:2007 IEC 60947-5-2:2007	
Approvals and certificates			
Protection class		II	
Rated insulation voltage	U_i	60 V	
Design-impulse-voltage withstand	U_{imp}	800 V	
UL approval		cULus Listed, General Purpose	
CSA approval		cCSAus Listed, General Purpose	

Release date: 2012-05-04 09:45 Date of issue: 2012-05-04 2:18699_eng.xml