



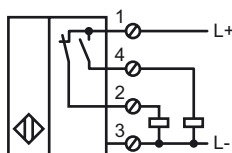
Model Number

NBB15-U3-A2

Features

- 15 mm embeddable
- 4 LEDs indicator for 360° visibility

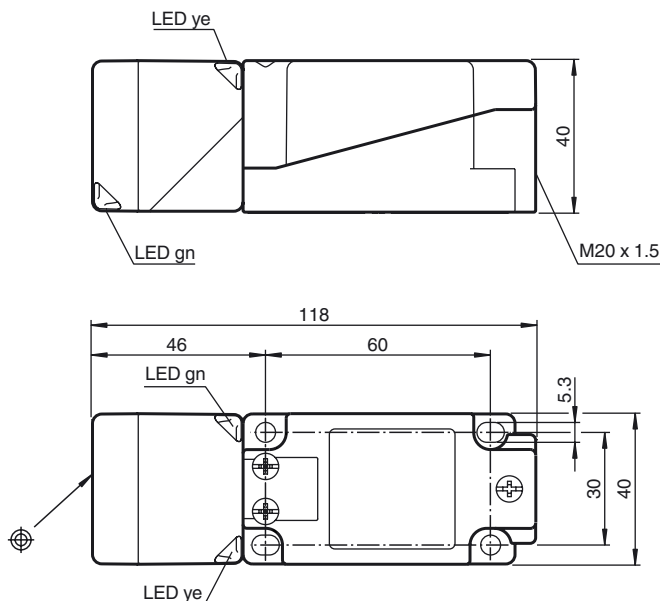
Connection



Accessories

MHW 01
Modular mounting bracket

Dimensions



Technical Data

General specifications			
Switching element function		PNP	NO/NC
Rated operating distance	s_n	15 mm	
Installation		embeddable	
Output polarity		DC	
Assured operating distance	s_a	0 ... 12.15 mm	
Reduction factor r_{Al}		0.33	
Reduction factor r_{Cu}		0.3	
Reduction factor r_{303}		0.74	
Reduction factor r_{Brass}		0.41	
Nominal ratings			
Operating voltage	U_B	10 ... 30 V	
Switching frequency	f	0 ... 200 Hz	
Hysteresis	H	typ. 5 %	
Reverse polarity protected		reverse polarity protected	
Short-circuit protection		pulsing	
Voltage drop	U_d	≤ 2 V	
Operating current	I_L	0 ... 200 mA	
Off-state current	I_r	0 ... 0.5 mA	
No-load supply current	I_0	≤ 20 mA	
Operating voltage display		LED, green	
Indication of the switching state		LED, yellow	
Ambient conditions			
Ambient temperature		-25 ... 85 °C (-13 ... 185 °F)	
Mechanical specifications			
Connection type		screw terminals	
Core cross-section		≤ 2.5 mm ²	
Housing material		PA/metal with epoxy powder coating	
Sensing face		PA	
Housing base		metal	
Protection degree		IP68 / IP69K	
Mass		225 g	
Note		Tightening torque: 1.8 Nm (housing) Tightening torque: 1.0 Nm (Screw terminal)	
Compliance with standards and directives			
Standard conformity			
Standards		EN 60947-5-2:2007 IEC 60947-5-2:2007	
Approvals and certificates			
UL approval		cULus Listed, General Purpose	
CSA approval		cCSAus Listed, General Purpose	
CCC approval		Products with a maximum operating voltage of ≤ 36 V do not bear a CCC marking because they do not require approval.	

Release date: 2011-08-16 14:51 Date of issue: 2011-08-16 218067_eng.xml