



Model Number

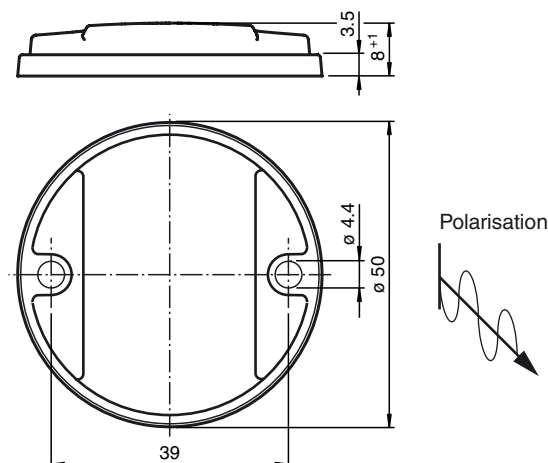
IUC71-50

Data carrier

Features

- Operating frequency 868 MHz
- Conforms to ISO 18000-6 B
- 216 byte memory available
- Sturdy housing, suitable for rough industrial use

Dimensions



Technical data

General specifications

| | |
|---------------------|-----------------|
| Operating frequency | 865 ... 868 MHz |
| Polarization | linear |

Memory

| | |
|-----------------------|------------------------------------------------------------------------------------------|
| Chip Type | ISO 18000-6B |
| Type/Size | EEPROM 256 Byte, of which 216 bytes for user data, unique 64 bit fixcode (UID) available |
| Read cycles | unlimited |
| Write cycles | > 100000 for 22 °C |
| Data retention period | 10 years |

Ambient conditions

| | |
|---------------------|---------------------------------|
| Ambient temperature | -25 ... 85 °C (-13 ... 185 °F) |
| Storage temperature | -40 ... 125 °C (-40 ... 257 °F) |

Mechanical specifications

| | |
|-------------------|-------------------------------|
| Protection degree | IP68 / IP69K |
| Material | |
| Housing | Polyamide PA 12 |
| Installation | preferably mountable on metal |
| Mass | 13 g |

Compliance with standards and directives

| | |
|-------------------------------|----------------------------------------------------------------------|
| Directive conformity | |
| R&TTE Directive 1995/5/EC | EN 301489-3:2002 , EN 60950-1:2006 , EN 300220-3:2000, EN 50364:2002 |
| Standard conformity | |
| Electromagnetic compatibility | EN 302208-2:2008 |
| Protection degree | EN 60529:2000 |
| RFID | ISO/IEC 18000-6:2004 |