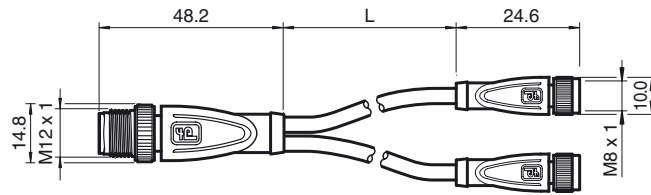




Dimensions



Model Number

V3-GM-0,3M-PUR-TV1-G

Y connecting cable, M12 to 2 x M8, 3-pin, PUR cable

Features

- Simple assembling of 2 signals to one M12 plug-in station
- Immunity to vibration
- Halogen-free

Technical data

General specifications

Number of pins	3
Construction type	straight female connectors straight male connectors

Electrical specifications

Operating voltage	U_B	max. 60 V DC
Operating current		max. 4 A
Volume resistance		< 5 mΩ

Ambient conditions

Ambient temperature	-5 ... 80 °C (23 ... 176 °F) active -25 ... 80 °C (-13 ... 176 °F) static
Pollution Degree	3

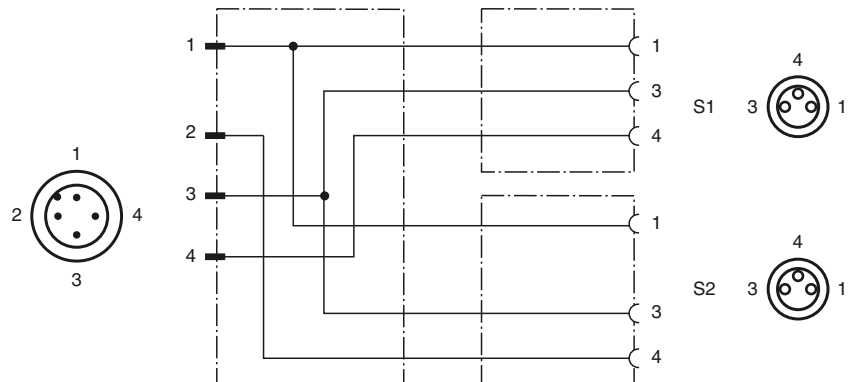
Mechanical specifications

Protection degree	IP65 / IP68 / IP69K
Connection	1 x M12 connector, straight 2 x M8 socket, straight

Material	
Contacts	CuSn
Contact surface	Ni/Au
Connector	TPU
Body	TPU, black
Cable	PUR
Slotted nut	Zinc die-casting, nickel-plated
Sleeve connector	Zinc die-casting, nickel-plated

Cable	
Sheath diameter	Ø 4.4 mm
Color	dark grey (RAL 7021)
Cores	3 x 0.25 mm ²
Length	L 0.3 m

Electrical connection



Release date: 2012-10-10 11:43 Date of issue: 2012-10-10 216147_eng.xml