



Model Number

PMI14V-F166-U-1M-Y215627

Features

- Analog output 0 ... 10 V
- Measuring range 0 ... 14 mm
- Scaleable measurement range programmable via cable

Technical data

General specifications

Switching element function	analog, current or voltage output
Object distance	0.5 ... 2 mm
Measurement range	0 ... 14 mm

Nominal ratings

Operating voltage U_B	18 ... 30 V
Reverse polarity protected	reverse polarity protected
Linearity error	± 0.3 mm
Repeat accuracy	± 0.05 mm
Resolution	33 μ m
Temperature drift	± 0.4 mm
No-load supply current I_0	≤ 20 mA

Analog output

Output type	1 voltage output: 0 ... 10 V
Load resistor	$\geq 1000 \Omega$
Short-circuit protection	pulsing

Ambient conditions

Ambient temperature	-10 ... 70 °C (14 ... 158 °F)
---------------------	-------------------------------

Mechanical specifications

Connection type	1 m, PUR cable
Core cross-section	5 x 0.25 mm ²
Housing material	Zinc die-casting, nickel-plated cover, PBT

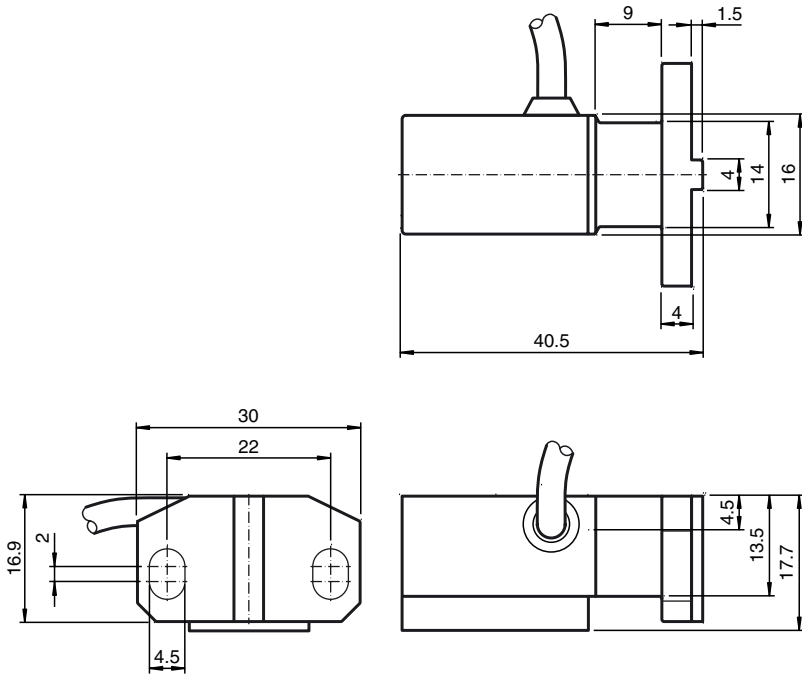
Compliance with standards and directives

Standard conformity	
Standards	EN 60947-5-2:2007 IEC 60947-5-2:2007

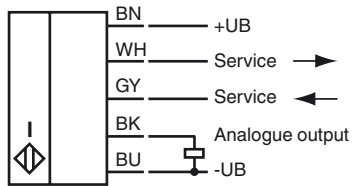
Approvals and certificates

UL approval	cULus Listed, General Purpose, Class 2 Power Source
-------------	---

Dimensions

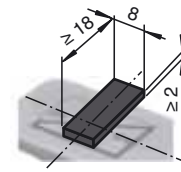


Electrical Connection



Additional Information

dimensions for the target object:



Accessories

BT-F90-W

Damping element for F90 sensors; lateral screw holes

BT-F90-G

Damping element for F90 sensors; front screw holes