



Model Number

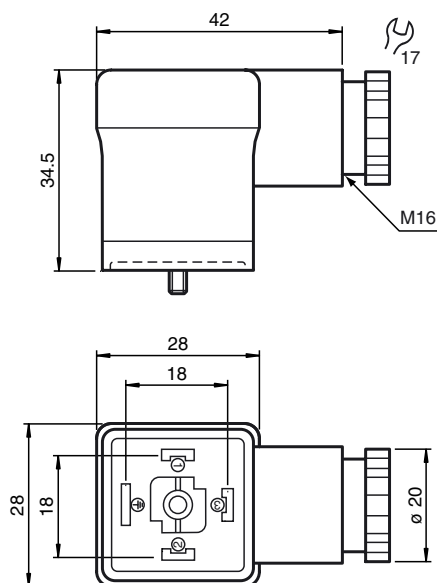
VMA-3+PE

Valve connector shape A, non pre-wired

Features

- Valve connector according EN 175301-803 A/ISO 4400 (previously DIN 43650)
- Moulded seal
- Freely selectable cable outlet due to rotating insert

Dimensions



Technical data

General specifications

Number of poles	3 + PE
Connection 1	Valve connector DIN
Construction type 1	angled

Electrical specifications

Operating voltage	U_B	250 V AC/DC
Operating current		max. 10 A
Volume resistance		< 10 m Ω

Ambient conditions

Ambient temperature	-40 ... 125 °C (233 ... 398 K)
---------------------	--------------------------------

Mechanical specifications

Protection degree	IP67
Connection	Valve connector Form A screw terminals for max. 1.5 mm ² Cable screwed connection M16

Material	
Contacts	CuZn ; CuSn
Handle	PA
Cable	
Sheath diameter	6 ... 8 mm

Electrical connection

