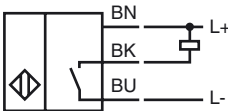
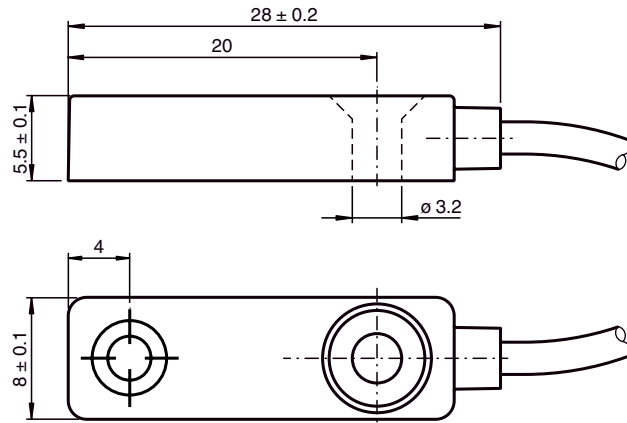


**Model Number**

NBB2-F76-E0-0,5M

**Features**

- 2 mm embeddable
- 3-wire DC

**Connection****Dimensions****Technical Data****General specifications**

Switching element function		NPN	NO
Rated operating distance	$s_n$	2 mm	
Installation		embeddable	
Output polarity		DC	
Assured operating distance	$s_a$	0 ... 1.62 mm	
Reduction factor $r_{AI}$		0.25	
Reduction factor $r_{Cu}$		0.2	
Reduction factor $r_{304}$		0.63	
Reduction factor $r_{Brass}$		0.31	

**Nominal ratings**

Operating voltage	$U_B$	10 ... 30 V DC
Switching frequency	$f$	0 ... 1500 Hz
Hysteresis	$H$	typ. 5 %
Reverse polarity protected		reverse polarity protected
Short-circuit protection		pulsing
Voltage drop	$U_d$	≤ 3 V
Operating current	$I_L$	0 ... 100 mA
Off-state current	$I_r$	0 ... 0.5 mA typ. 10 µA at 25 °C
No-load supply current	$I_0$	≤ 15 mA
Indication of the switching state		LED yellow

**Functional safety related parameters**

MTTF <sub>d</sub>	828 a
Mission Time (T <sub>M</sub> )	20 a
Diagnostic Coverage (DC)	0 %

**Ambient conditions**

Ambient temperature	-25 ... 70 °C (-13 ... 158 °F)
---------------------	--------------------------------

**Mechanical specifications**

Connection type	cable PVC , 0.5 m
Core cross-section	3 x 0.09 mm <sup>2</sup>
Housing material	PC
Protection degree	IP67
Mass	5 g

**Compliance with standards and directives**

Standard conformity	
Standards	EN 60947-5-2:2007 IEC 60947-5-2:2007

**Approvals and certificates**

CCC approval	Products with a maximum operating voltage of ≤36 V do not bear a CCC marking because they do not require approval.
--------------	--