



Model Number

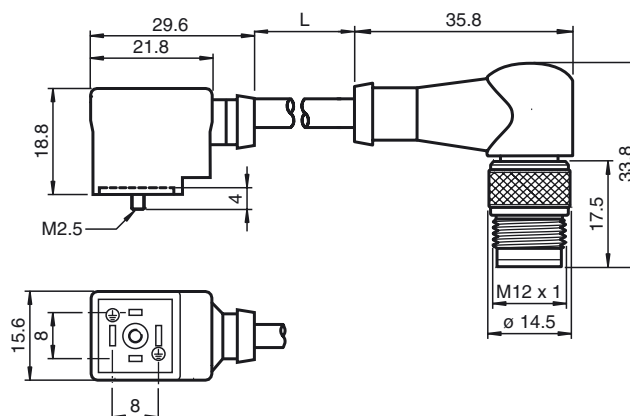
VMC-2+P/Z2-0,3M-PVC-V1-W-Y

Valve connector, Form C on M12, 2+PE, LED, Z diode, PVC cable

Features

- Valve connector according EN 175301-803 A/ISO 4400 (previously DIN 43650)
- Moulded seal
- Z diode as a protective circuit
- Built-in LED, as operating and function indicator

Dimensions



Technical data

General specifications

Number of pins	2 + PE
Connection 1	Valve connector DIN
Construction type 1	right angle
Connection 2	Male connector
Construction type 2	right angle
Threading 2	M12

Indicators/operating means

LED yellow	Functional display
------------	--------------------

Electrical specifications

Operating voltage	U_B	24 V AC/DC
Test voltage		2000 V
Operating current		max. 4 A
Volume resistance		< 10 mΩ

Ambient conditions

Ambient temperature	-25 ... 80 °C (-13 ... 176 °F)
Pollution Degree	3

Mechanical specifications

Protection degree	IP67
Connection	Valve connector Form C M12 x 1 connector, 3-pin, A-coded
Material	
Contacts	CuZn ; CuSn
Contact surface	CuSn
Body	Valve connector PUR Male connector PA
Cable	PVC
Core insulation	PVC
Cable	
Sheath diameter	Ø 5.1 mm
Bending radius	> 10 x cable diameter, moving
Color	black
Cores	(2 + 1) x 0.5 mm ²
Conductor construction	16 x 0.2 mm Ø
Length	L 0.3 m

Electrical connection

