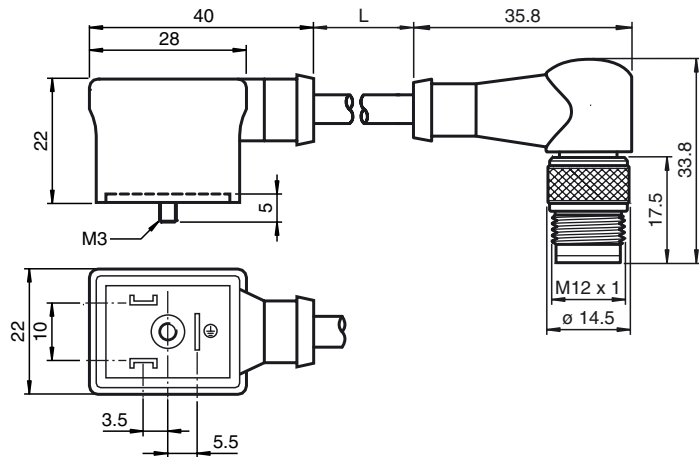




Dimensions



Model Number

VMB-2+P/Z2-0,3M-PVC-V1-W-Y

Valve connector, Form B on M12, 2+PE, LED, Z diode, PUR cable

Features

- Valve connector according EN 175301-803 A/ISO 4400 (previously DIN 43650)
- Z diode as a protective circuit
- Built-in LED, as operating and function indicator
- Moulded seal

Technical data

General specifications

Number of pins	2 + PE
Connection 1	Valve connector DIN
Construction type 1	right angle
Connection 2	Male connector
Construction type 2	right angle
Threading 2	M12

Indicators/operating means

LED yellow	Functional display
------------	--------------------

Electrical specifications

Operating voltage	U_B	24 V AC/DC
Operating current		max. 4 A
Volume resistance		< 10 mΩ

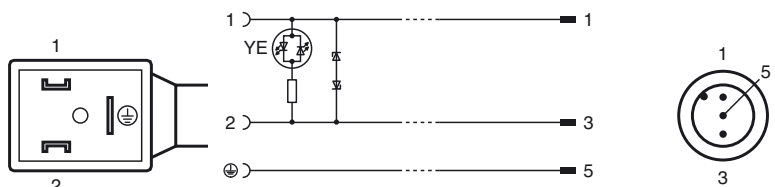
Ambient conditions

Ambient temperature	-15 ... 70 °C (5 ... 158 °F)
Pollution Degree	3

Mechanical specifications

Protection degree	IP67
Connection	Valve connector Form B M12 x 1 connector, 3-pin, A-coded
Material	
Contacts	CuZn ; CuSn
Body	PUR
Cable	PVC
Core insulation	PVC
Cable	
Sheath diameter	Ø 5.1 mm
Bending radius	> 10 x cable diameter, moving
Color	black
Cores	(2 + 1) x 0.75 mm ²
Conductor construction	24 x 0.2 mm Ø
Length	L 0.3 m

Electrical connection



Release date: 2010-09-14 18:00 Date of issue: 2013-01-30 213511_eng.xml

Subject to modifications without notice

Pepperl+Fuchs Group
www.pepperl-fuchs.com

USA: +1 330 486 0001
fa-info@us.pepperl-fuchs.com

Germany: +49 621 776-4411
fa-info@pepperl-fuchs.com

Copyright Pepperl+Fuchs
Singapore: +65 6779 9091
fa-info@sg.pepperl-fuchs.com