



Model Number

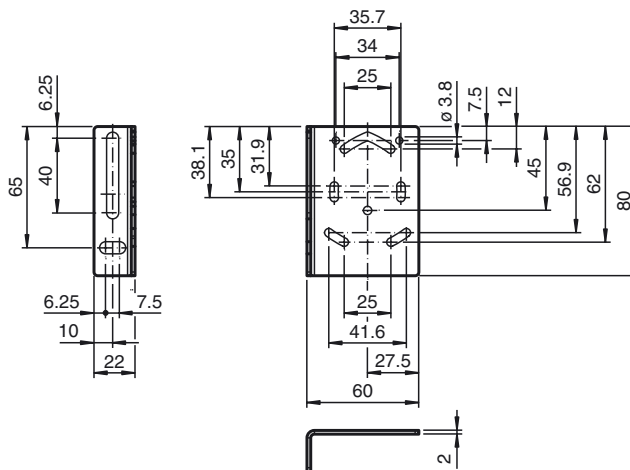
OMH-RL31-05

Mounting bracket with M10 threaded rod

Features

- Mounting bracket
- Simple and fast mounting

Dimensions



Technical data

General specifications

Accessories provided Mounting set for one sensor

Mechanical specifications

Material Stainless steel

Suitable series

Series Series 31

Release date: 2012-03-27 17:09 Date of issue: 2012-04-23 212659_eng.xml

Subject to modifications without notice

Pepperl+Fuchs Group
www.pepperl-fuchs.com

USA: +1 330 486 0001
fa-info@us.pepperl-fuchs.com

Germany: +49 621 776-4411
fa-info@pepperl-fuchs.com

Copyright Pepperl+Fuchs
Singapore: +65 6779 9091
fa-info@sg.pepperl-fuchs.com