



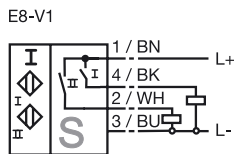
Model Number

NBN3-F31-E8-V1-3G-3D

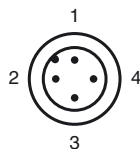
Features

- Direct mounting on standard actuators
- Compact and stable housing
- Fixed setting
- Satisfies machinery directive

Connection



Pinout



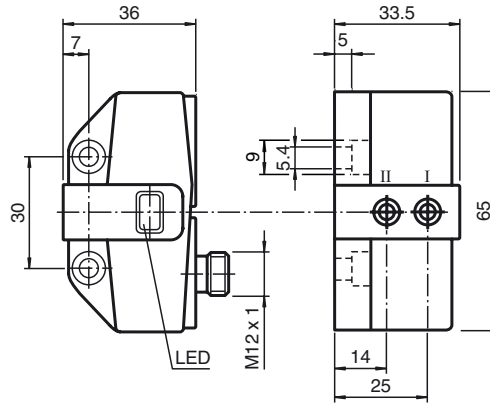
Wire colors in accordance with EN 60947-5-2

1	BN
2	WH
3	BU
4	BK

Accessories

- V1-G**
Field attachable female cordset
- V1-W**
Field attachable female cordset
- V1-G-2M-PUR**
Cable socket, M12, 4-pin, PUR cable
- V1-W-2M-PUR**
Cable socket, M12, 4-pin, PUR cable

Dimensions



Technical Data

General specifications

Switching element function	PNP	Dual NO
Rated operating distance	s_n	3 mm
Installation		flush mountable
Output polarity		DC
Assured operating distance	s_a	0 ... 2.43 mm
Reduction factor r_{Al}		0.5
Reduction factor r_{Cu}		0.4
Reduction factor r_{V2A}		1
Reduction factor r_{St37}		1.2

Nominal ratings

Operating voltage	U_B	10 ... 30 V
Switching frequency	f	0 ... 500 Hz
Hysteresis	H	typ. 5 %
Reverse polarity protected		all connections
Short-circuit protection		pulsing
Voltage drop	U_d	≤ 3 V
Operating current	I_L	0 ... 100 mA
Off-state current	I_r	0 ... 0.5 mA typ. 0.1 μ A at 25 °C
No-load supply current	I_o	≤ 25 mA
Operating voltage display		LED, green
Indication of the switching state		LED, yellow

Ambient conditions

Ambient temperature	-25 ... 70 °C (-13 ... 158 °F)
---------------------	--------------------------------

Mechanical specifications

Connection (system side)	connector M12 x 1, 4-pin
Housing material	PBT
Sensing face	PBT
Protection degree	IP67

General information

Use in the hazardous area	see instruction manuals
Category	3G; 3D

Compliance with standards and directives

Standard conformity	
Standards	EN 60947-5-2:2007 IEC 60947-5-2:2007

Approvals and certificates

UL approval	cULus Listed, General Purpose
CSA approval	cCSAus Listed, General Purpose

Release date: 2011-01-10 13:22 Date of issue: 2011-01-10 211848_ENG.xml

ATEX 3G (nA)

Instruction

Manual electrical apparatus for hazardous areas**Device category 3G (nA)**

Directive conformity

Standard conformity

for use in hazardous areas with gas, vapour and mist

94/9/EG

EN 60079-0:2006, EN 60079-15:2005

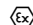
Ignition protection category "n"

Use is restricted to the following stated conditions

CE symbol



Ex-identification

 II 3G Ex nA IIC T6 X

General

The apparatus has to be operated according to the appropriate data in the data sheet and in this instruction manual.
The data stated in the data sheet are restricted by this operating instruction! The special conditions must be observed!

Installation, Commissioning

Laws and/or regulations and standards governing the use or intended usage goal must be observed.

Maintenance

No changes can be made to apparatus, which are operated in hazardous areas.
Repairs to these apparatus are not possible.

Special conditionsMaximum operating current I_L

The maximum permissible load current must be restricted to the values given in the following list. High load currents and load short-circuits are not permitted.

Maximum operating voltage U_{Bmax}

The maximum permissible operating voltage U_{Bmax} is restricted to the values in the following list. Tolerances are not permissible.

Maximum permissible ambient temperature T_{Umax}

dependant of the load current I_L and the max. operating voltage U_{Bmax} .
Information can be taken from the following list.

at $U_{Bmax}=30$ V, $I_L=100$ mA

43 °C (109.4 °F)

at $U_{Bmax}=30$ V, $I_L=50$ mA

45 °C (113 °F)

at $U_{Bmax}=30$ V, $I_L=25$ mA

45 °C (113 °F)

Plug connector

The plug connector must not be withdrawn under voltage. The proximity switch is identified as follows: "WARNING - DO NOT SEPARATE WHEN ENERGIZED". With the plug connector disconnected, soiling of the internal area must be prevented. (i.e. the area that is inaccessible when the connector is inserted)

Protection from mechanical danger

The sensor must not be exposed to **ANY FORM** of mechanical danger.

Protection from UV light

The sensor and the connection cable must be protected from damaging UV-radiation. This can be achieved when the sensor is used in internal areas.

ATEX 3D (tD)

Instruction	Manual electrical apparatus for hazardous areas
Device category 3D	for use in hazardous areas with combustible dust
Directive conformity	94/9/EG
Standard conformity	EN 61241-0:2006, EN 61241-1:2004
CE symbol	Protection via housing "tD" Use is restricted to the following stated conditions CE
Ex-identification	Ex II 3D Ex tD A22 IP67 T80°C X
General	The apparatus has to be operated according to the appropriate data in the data sheet and in this instruction manual. The maximum surface temperature has been determined in accordance with method A without a dust layer on the equipment. The data stated in the data sheet are restricted by this operating instruction! The special conditions must be adhered to!
Installation, Commissioning	Laws and/or regulations and standards governing the use or intended usage goal must be observed.
Maintenance	No changes can be made to apparatus, which are operated in hazardous areas. Repairs to these apparatus are not possible.
Special conditions	
Maximum operating current I_L	The maximum permissible load current must be restricted to the values given in the following list. High load currents and load short-circuits are not permitted.
Maximum operating voltage U_{Bmax}	The maximum permissible operating voltage U_{Bmax} must be restricted to the values given in the following list. Tolerances are not permitted.
Maximum permissible ambient temperature T_{Umax}	dependant of the load current I_L and the max. operating voltage U_{Bmax} . Information can be taken from the following list.
at $U_{Bmax}=30\text{ V}$, $I_L=100\text{ mA}$	43 °C (109.4 °F)
at $U_{Bmax}=30\text{ V}$, $I_L=50\text{ mA}$	45 °C (113 °F)
at $U_{Bmax}=30\text{ V}$, $I_L=25\text{ mA}$	45 °C (113 °F)
Plug connector	The plug connector must not be withdrawn under voltage. The proximity switch is identified as follows: "WARNING - DO NOT SEPARATE WHEN ENERGIZED". With the plug connector disconnected, soiling of the internal area must be prevented. (i.e. the area that is inaccessible when the connector is inserted) The plug connection can only be separated using a tool. This is achieved by using the locking protection V1-Clip (Mounting accessory from Pepperl + Fuchs).
Protection from mechanical danger	The sensor must not be exposed to ANY FORM of mechanical danger.
Protection from UV light	The sensor and the connection cable must be protected from damaging UV-radiation. This can be achieved when the sensor is used in internal areas.
Electrostatic charging	Sliding contact discharges must be avoided.