



Model Number

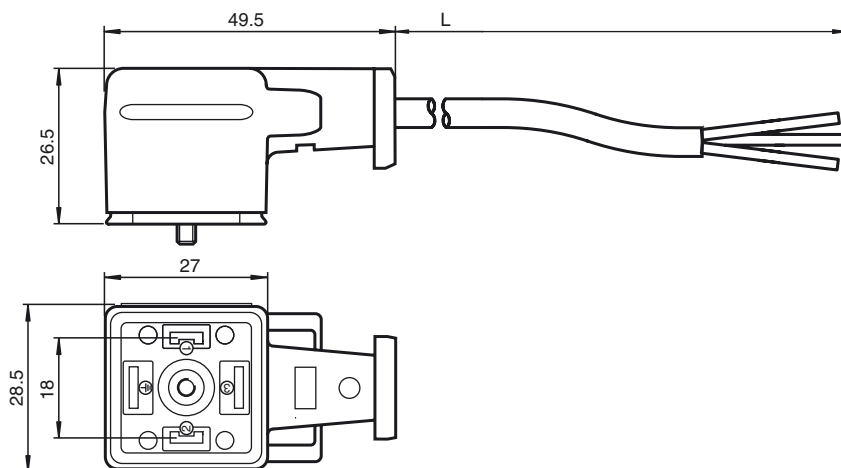
VMA-2+P/L1-1M-PUR

Valve connector Form A

Features

- Valve connector according EN 175301-803 A/ISO 4400 (previously DIN 43650)
- Moulded seal
- Built-in LED, as operating and function indicator

Dimensions



Technical data

General specifications

Number of pins	2 + PE
Connection 1	Valve connector DIN
Construction type 1	right angle
Connection 2	cable end

Indicators/operating means

LED yellow	Operating display
------------	-------------------

Electrical specifications

Operating voltage	U_B	24 V AC/DC
Operating current		max. 10 A
Volume resistance		< 10 mΩ

Ambient conditions

Ambient temperature	-25 ... 80 °C (-13 ... 176 °F)
Pollution Degree	3

Mechanical specifications

Contact elements	Fork type springs	
Protection degree	IP65/IP67	
Connection	Valve connector Form A	
Material		
Contacts	CuZn ; CuSn	
Handle	PUR	
Cable	PUR	
Core isolation	PP	
Cable	fine-strand, flexible	
Sheath diameter	Ø 5.8 mm	
Bending radius	> 10 x cable diameter, moving	
Color	grey	
Cores	(2 + 1) x 0.75 mm ²	
Conductor construction	42 x 0.15 mm Ø	
Length	L	1 m

Electrical connection

